

USER'S GUIDE FOR THE  
**KEN ONION EDITION  
KNIFE & TOOL SHARPENER  
MK.2**

WSKTS-K02



**WATCH  
DEMO**



**⚠ WARNING!** To reduce the risk of injury, the user must read and understand this instruction manual before using product. Failure to follow this warning could result in severe injury or death. Save these instructions for future reference.

## ***KEN ONION DESIGNED, WORK SHARP ENGINEERED***

Work Sharp partnered with legendary hall-of-fame knife maker Ken Onion to develop new, innovative sharpeners! The combination of Work Sharp engineered and Ken Onion's industrial design has created a fast, easy and stylish way to sharpen all your knives and tools with precision and repeatability.

"I am proud to be affiliated with this company, I am proud to be affiliated with this sharpener. I am proud of all the projects we have worked on together; because I know how much love, and heart, and compassion goes into everything Work Sharp does.

There are a lot of my ideas and designs in this sharpener, it was so much fun to collaborate and create with this team. For the average person who wants their knives sharp, it really is the best thing out there. I feel it's an honor to be a part of this team, I will be eternally grateful.

Thank you for your purchase, and your trust in us to sharpen all of your knives."



*Ken Onion*

***KEN ONION***

Legendary Hall-of-Fame Knife Maker

# TABLE OF CONTENTS

---

|   |    |
|---|----|
| <i>SAFETY INFORMATION</i> .....   | 4  |
| <i>SAFETY GUIDELINES</i> .....  | 7  |
| <i>WARRANTY</i> .....   | 7  |
| <i>SHARPENING BASICS</i> .....  | 8  |
| <i>THE FASTEST WAY TO A SHARP EDGE</i> .....                                | 9  |
| <i>GETTING TO KNOW THE KEN UNION EDITION KNIFE AND TOOL SHARPENER</i> ..... | 10 |
| <i>THE ANATOMY OF A KNIFE</i> .....   | 14 |
| <i>SHARPENING REFERENCE CHART</i> .....                                     | 15 |
| <i>SHARPENING OUTDOOR KNIVES</i> .....                                      | 16 |
| <i>SHARPENING SERRATED KNIVES</i> .....                                     | 18 |
| <i>SHARPENING FILLET KNIVES</i> .....                                       | 19 |
| <i>SHARPENING GUT HOOKS</i> .....   | 19 |
| <i>SHARPENING KITCHEN KNIVES</i> .....                                      | 20 |
| <i>SHARPENING SCISSORS</i> .....  | 21 |
| <i>GRINDING</i> .....   | 22 |
| <i>PRUNING SHEARS</i> .....   | 23 |

PLEASE LEAVE A REVIEW ON [AMAZON](https://www.amazon.com), [WORKSHARPTOOLS.COM](https://www.worksharptools.com)  
OR WHEREVER YOU PURCHASED YOUR PRODUCT



# SAFETY INFORMATION

---

**⚠ WARNING!** You will be creating incredibly sharp knives with this sharpener. Always keep your fingers, hands, and body clear of the knife edge. Failure to follow these warnings could result in severe injury or death.

## GENERAL POWER TOOL SAFETY WARNINGS

**⚠ WARNING!** Read all safety warnings, instructions, illustrations and specifications provided with this power tool. Failure to follow all instructions listed below may result in electric shock, fire and/or serious injury.



Save all warnings and instructions for future reference. The term “power tool” in the warnings refers to your mains-operated (corded) power tool or battery-operated (cordless) power tool.

## SAVE THESE INSTRUCTIONS

### 1) WORK AREA SAFETY

- a) *Keep work area clean and well lit.* Cluttered or dark areas invite accidents.
- b) *Do not operate power tool in explosive atmospheres, such as in the presence of flammable liquids, gases or dust.* Power tools create sparks which may ignite the dust or fumes.
- c) *Keep children and bystanders away while operating a power tool.* Distractions can cause you to lose control.

### 2) ELECTRICAL SAFETY

- a) *Power tool plugs must match the outlet. Never modify the plug in any way. Do not use any adapter plugs with earthed (grounded) power tools.* Unmodified plugs and matching outlets will reduce risk of electric shock.
- b) *Avoid body contact with earthed or grounded surfaces such as pipes, radiators, ranges and refrigerators.* There is an increased risk of electric shock if your body is earthed or grounded.
- c) *Do not expose power tools to rain or wet conditions.* Water entering a power tool will increase the risk of electric shock.
- d) *Do not abuse the cord. Never use the cord for carrying, pulling or unplugging the power tool. Keep cord away from heat, oil, sharp edges or moving parts.* Damaged or entangled cords increase the risk of electric shock.
- e) *When operating a power tool outdoors, use an extension cord suitable for outdoor use.* Use of a cord suitable for outdoor use reduces the risk of electric shock.
- f) *If operating a power tool in a damp location is unavoidable, use a ground fault circuit interrupter (GFCI) protected supply.* Use of an GFCI reduces the risk of electric shock.

### 3) PERSONAL SAFETY

- a) *Stay alert, watch what you are doing and use common sense when operating a power tool. Do not use a power tool while you are tired or under the influence of drugs, alcohol or medication. A moment of inattention while operating power tools may result in serious personal injury.*
- b) *Use personal protective equipment. Always wear eye protection. Protective equipment such as dust mask, non-skid safety shoes, hard hat, or hearing protection used for appropriate conditions will reduce personal injuries.*
- c) *Prevent unintentional starting. Ensure the switch is in the off-position before connecting to power source and/or battery pack, picking up or carrying the tool. Carrying power tools with your finger on the switch or energizing power tools that have the switch on invites accidents.*
- d) *Remove any adjusting key or wrench before turning the power tool on. A wrench or a key left attached to a rotating part of the power tool may result in personal injury.*
- e) *Do not overreach. Keep proper footing and balance at all times. This enables better control of the power tool in unexpected situations.*
- f) *Dress properly. Do not wear loose clothing or jewelry. Keep your hair, clothing and gloves away from moving parts. Loose clothes, jewelry or long hair can be caught in moving parts.*
- g) *If devices are provided for the connection of dust extraction and collection facilities, ensure these are connected and properly used. Use of dust collection can reduce dust-related hazards.*
- h) *Do not let familiarity gained from frequent use of tools allow you to become complacent and ignore tool safety principles. A careless action can cause severe injury within a fraction of a second.*

### 4) POWER TOOL USE AND CARE

- a) *Do not force the power tool. Use the correct power tool for your application. The correct power tool will do the job better and safer at the rate for which it was designed.*
- b) *Do not use the power tool if the switch does not turn it on and off. Any power tool that cannot be controlled with the switch is dangerous and must be repaired.*
- c) *Disconnect the plug from the power source and/or remove the battery pack, if detachable, from the power tool before making any adjustments, changing accessories, or storing power tools. Such preventive safety measures reduce the risk of starting the power tool accidentally.*
- d) *Store idle power tools out of the reach of children and do not allow persons unfamiliar with the power tool or these instructions to operate the power tool. Power tools are dangerous in the hands of untrained users.*
- e) *Maintain power tools and accessories. Check for misalignment or binding of moving parts, breakage of parts and any other condition that may affect the power tools operation. If damaged, have the power tool repaired before use. Many accidents are caused by poorly maintained power tools.*
- f) *Keep cutting tools sharp and clean. Properly maintained cutting tools with sharp cutting edges are less likely to bind and are easier to control.*
- g) *Use the power tool, accessories and tool bits etc., in accordance with these instructions, taking into account the working conditions and the work to be performed. Use of the power tool for operations different from those intended could result in a hazardous situation.*
- h) *Keep handles and grasping surfaces dry, clean and free from oil and grease. Slippery handles and grasping surfaces do not allow for safe handling and control of the tool in unexpected situations.*

## 5) SERVICE

a) Have your power tool serviced by a qualified repair person using only identical replacement parts. This will ensure that the safety of the power tool is maintained.

### WORK SHARP

Mail ..... 210 E. Hersey St. Ashland OR 97520 USA  
Phone ..... 1 (800) 597-6170  
Fax ..... 1 (541) 552-1377  
E-mail ..... info@worksharptools.com  
Web ..... www.worksharptools.com

b) Do not dispose of electrical products with household waste. Waste electrical products should not be disposed of with household waste. Please recycle where facilities exist. Check with your local authority or retailer for recycling advice.



c) To replace a damaged power supply cord (Type Y), your power tool must be returned to the Service Center.

## BELT SANDER SAFETY RULES

**⚠ WARNING:** Hold the power tool by insulated gripping surfaces, because the sanding surface may contact its own cord. Cutting a "live" wire may make exposed metal parts of the power tool "live" and could give the operator an electric shock.

**⚠ WARNING:** Use of this tool can generate and/or disperse dust, which may cause serious and permanent respiratory or other injury. Always use NIOSH/ OSHA approved respiratory protection appropriate for the dust exposure. Direct particles away from face and body.

## SAFETY GUIDELINES – DEFINITIONS

The label on your tool may include the following symbols.

V ..... Volt

Hz ..... Hertz

min ..... minutes

— — — ..... direct current



..... Class II Construction

⚠ ..... safety alert symbol

A ..... amperes

W ..... watts

~ ..... alternating current

n<sub>0</sub> ..... no load speed

⊕ ..... earthing terminal

min<sup>-1</sup> ..... revolutions or  
reciprocations per minute

## MOTOR

Be sure your power supply agrees with nameplate marking. Do not operate AC tools on DC. This information is printed on the nameplate.

### **INTENDED USES:**

- Grinding, Sharpening and Honing applications on knives and tools
- Light duty metal grinding
- Only for consumer use
- Tool should only be used with sharpening cassette or approved attachment installed.

### **UNINTENDED USES:**

- Industrial or commercial grinding or sharpening applications.
- Extended, continuous use beyond 30 minutes per hour.

## **WARRANTY**

---



This sharpener is covered by Work Sharp's 3-year warranty. We stand behind and support our products – contact us if you need assistance, parts, or service. Warranty for consumer not industrial or commercial use, excludes abrasives.

Register your warranty online at [www.worksharptools.com](http://www.worksharptools.com).

# SHARPENING BASICS

---

## WHAT EDGE ANGLE AND WHY?

Our recommendations (found in the Sharpening Reference Chart, pg 15) are based on our extensive testing and driven by three primary factors: 1) Optimizing the edge angle for the intended purpose of the knife. 2) Optimizing edge retention for the knife's purpose. 3) Speed of sharpening process.

## WHY IS A CONVEX EDGE SUPERIOR?

Our blade use and sharpness testing have taught us that a convex edge is a superior edge. The smooth radius edge type does not have “shoulders” like a flat grind and creates less friction or resistance when cutting. A convex edge provides more steel behind the edge to support it, so the edge stays sharper longer. Lastly, our convex method thins the bevel when you sharpen the blade, while flat ground blades become thicker and thicker as you re-sharpen.

## THE SHARPENING PROCESS



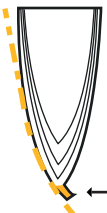
### FACTORY EDGE

Most knives are flat ground from the factory and have a smaller bevel height or surface area.



### CONVEX GRIND IN PROCESS

Re-sharpening to a lower angle and a convex grind takes time. Be patient and ensure you create a burr.



### CONTINUE TO NEXT GRIT

Sharpen one side of the knife until a burr is created. Switch to the other side and create a burr before switching to a finer grit belt.



## **ANGLE CHANGES - WHAT TO EXPECT WITH A DECREASED ANGLE**

**DURATION:** If you are sharpening a knife to an angle lower than the factory grind (ex.: factory 25° sharpening to a 15°), you should expect this process to take longer. This is due to the amount of material being removed to “thin” the edge.

**BEVEL HEIGHT:** You should also expect the look of your edge to change if you are decreasing the edge angle. The bevel (the area being sharpened) will become taller as the edge angle is reduced and will create more surface area.

# **THE FASTEST WAY TO A SHARP EDGE**

---

### **TOOTHY SHARP**

**OUTDOOR KNIFE:** Angle = 25° | Speed = 3

- X65: 3-5 strokes per side, then X22 (2 strokes per side)

**KITCHEN KNIFE:** Angle = 20° | Speed = 2

- X65: 2-4 strokes per side, then X22 (2 strokes per side)

### **SHAVING SHARP**

**OUTDOOR KNIFE:** Angle = 25° | Speed = 3

- X65: 3-5 strokes per side, then X4 (5 strokes per side)

**KITCHEN KNIFE:** Angle = 20° | Speed = 2

- X65: 2-4 strokes per side, then X4 (5 strokes per side)

### **SHINY SHARP**

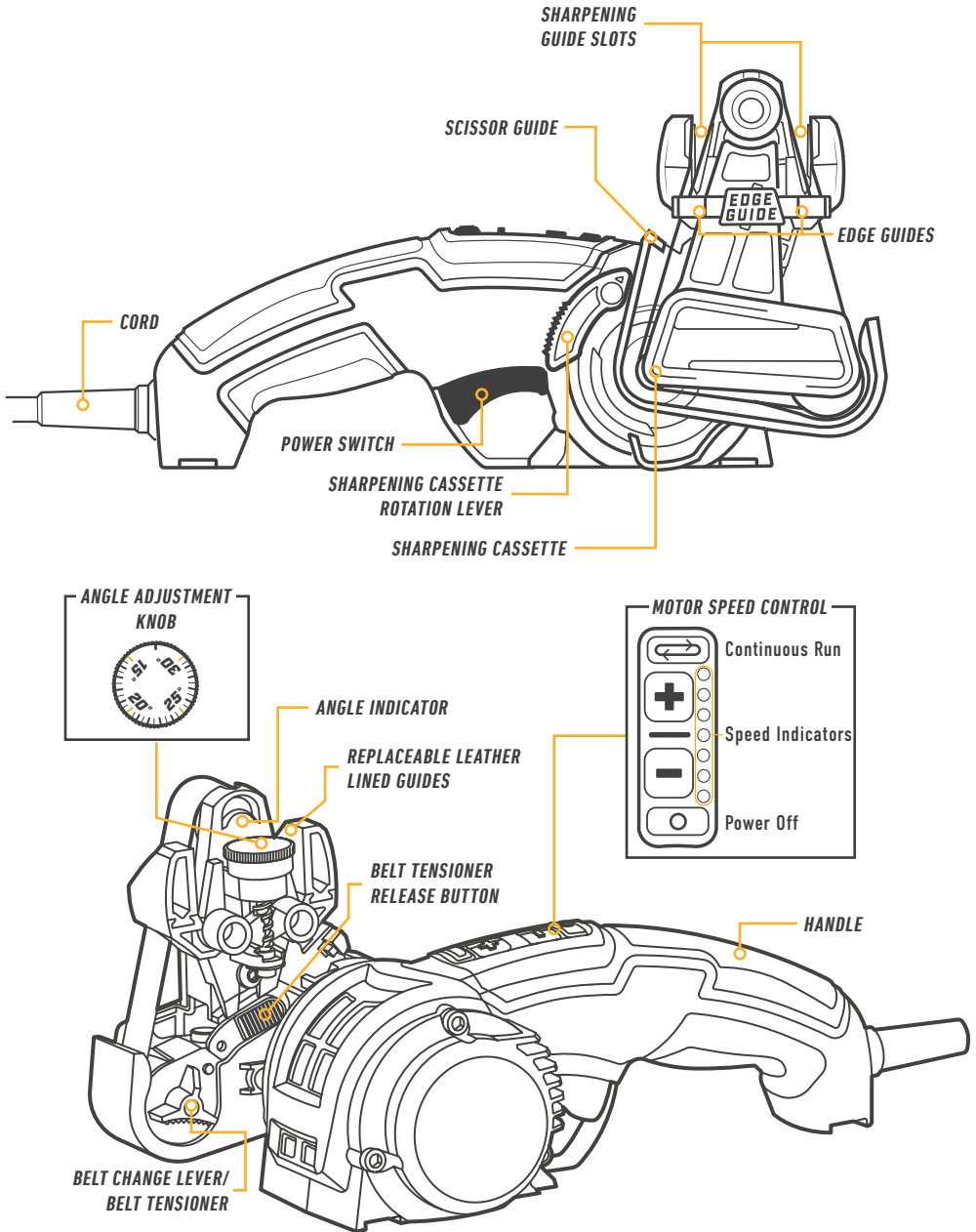
**OUTDOOR KNIFE:** Angle = 22.5° | Speed = 3

- X65, then X22, then X4 (10 strokes each per side)

**KITCHEN KNIFE:** Angle = 17.5° | Speed = 2

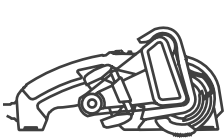
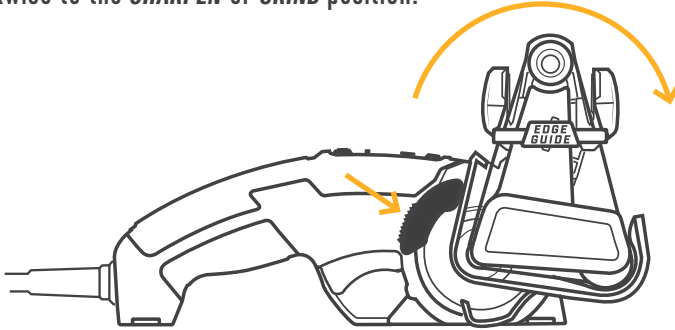
- X65, then X22, then X4 (10 strokes each per side)

# GETTING TO KNOW YOUR KEN ONION SHARPENER

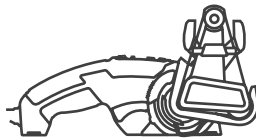


# 1. SHARPENING CASSETTE POSITIONS

Squeeze and hold sharpening cassette rotation lever and rotate the cassette up, clockwise to the **SHARPEN** or **GRIND** position.



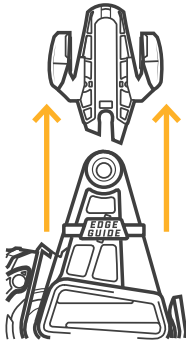
**PARKED\***



**SHARPEN**



**GRIND\*\***

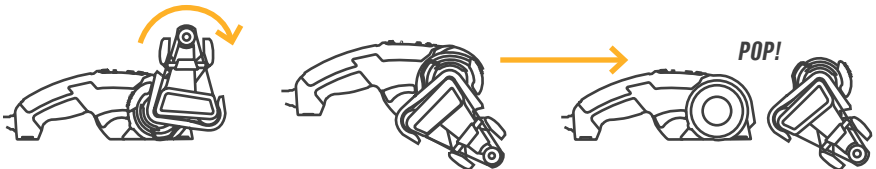


**\* ⚠ Warning!** Do not energize tool while in the parked position. Keep fingers, hands, and body clear of the belt. Failure to follow these warnings could result in severe injury or death.

**\*\*** For grinding applications, remove the Angle Guide by pulling straight up and off. Rotate the edge guide to the vertical position for grinding applications.

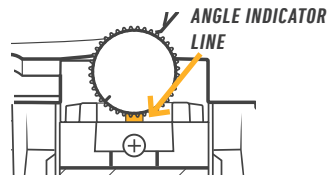
## REMOVING THE SHARPENING CASSETTE FOR ATTACHMENTS:

- Remove belt from sharpening cassette (See PG 13 for details)
- Push and hold lock lever and rotate cassette to position show.
- Dismount cassette by pulling outward.
- Locate this same position to re-install sharpening cassette or attachments.



## 2. KNIFE SHARPENING GUIDE ADJUSTMENT

15° - 30° in 1/2° increments. Angle is measured per side of the knife (ex. 20° per side equals a 40° inclusive edge angle). Align desired angle with the indicator line on the guide.



## 3. SPEED CONTROL ADJUSTMENT

**CONTINUOUS MOTOR RUN MODE:** Depress the Power Switch and press the button directly above the speed controls to lock the motor on.

Use the Plus (+) and Minus (-) buttons to increase or decrease the speed of the abrasive belt. SFM = Surface Feet Per Minute

- **HIGHEST:** 7 lights      2590 SFM
- **HIGH:** 6 lights      2340 SFM
- **MED-HIGH:** 5 lights      2050 SFM
- **MEDIUM:** 4 lights      1770 SFM
- **MED-LOW:** 3 lights      1460 SFM
- **LOW:** 2 lights      1190 SFM
- **LOWEST:** 1 light      850 SFM



CONTINUOUS RUN  
GRINDING

SHAPING KNIVES

SHARPENING KNIVES

POWER OFF

## 4. BELT INFORMATION

| BELT NAME    | GRIT | COLOR             | APPLICATION  |
|--------------|------|-------------------|--|
| Extra-Coarse | P120 | <b>RED</b>        | Extra-Coarse grit belt for tool sharpening and knife repair. |
| Coarse       | X65  | <b>DARK GREY</b>  | Coarse grit belt for knife shaping.                          |
| Medium       | X22  | <b>LIGHT GREY</b> | Medium grit belt for knife sharpening.                       |
| Fine         | X4   | <b>WHITE</b>      | Fine grit belt for honing knives and scissors.               |
| Extra-Fine   | 6000 | <b>PURPLE*</b>    | Extra-Fine grit belt for serrations and gut hooks.           |

Abrasive belt dimensions: 3/4" x 12", \*1/2" x 12"

Replacement belts and more grit selection available at: [www.worksharptools.com](http://www.worksharptools.com)

- Engineered abrasives are longer lasting and should meet your sharpening needs.
- Keep belts clean and dry for best performance and life.
- Belt grits are labeled on backing ( $\mu$ =micron)  
For reference, belts are equivalent to: **X65 (P220) | X22 (P1000) | X4 (P3000)**

**Notice:** Only use abrasives recommended for this tool in accordance with these instructions.

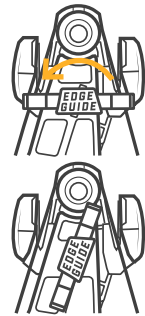
**ABRASIVE BELT WEAR:** Belt discoloration is not an indicator of wear. Engineered belts expose new abrasive as they break down. Used belts may take extra strokes, but will continue to remove material. These belts will keep going longer than you think. Keep using them as long as they are still removing material.

## 5. EDGE GUIDE

### WHEN AND WHY TO USE THE EDGE GUIDE:

- Most pocket / outdoor knives are best sharpened without using the Edge-Guide since they often have thumb studs or belt clips that can obstruct full blade insertion.
- It is helpful to support and guide long blades (filet knives and machetes) through the sharpening process.

PULL AND ROTATE



## 6. BELT CHANGE

Unplug sharpener from power supply.

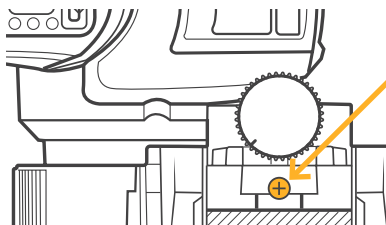
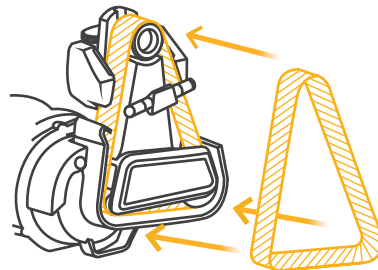
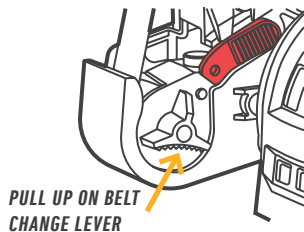
Pull up the Belt Change Lever to lock it into place to remove belt.

Route belt around all 3 pulleys. Be sure belt is within pulley flanges.

Press RED Belt Tensioner Release Button to retension the belt.

Lay tool onto its back for easier belt changes.

\* Rotate the Edge Guide out of the way for easier belt installation.

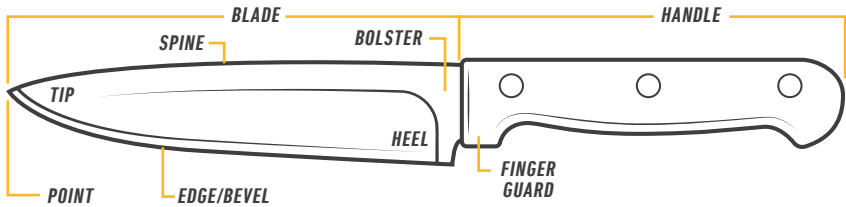


ROTATE SCREW  
TO TRACK BELT

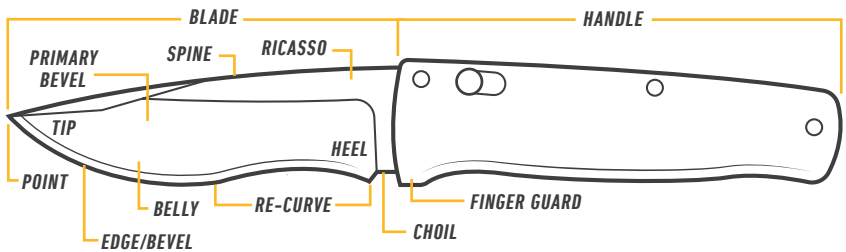
**BELT TRACKING:** Rotate screw above the top pulley to center the belt on the top pulley.

# THE ANATOMY OF A KNIFE

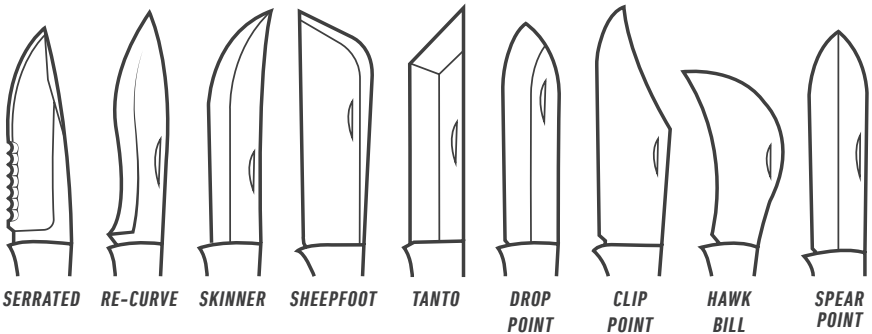
## KITCHEN KNIFE



## OUTDOOR KNIFE



## BLADE TYPES



# SHARPENING REFERENCE CHART

## KITCHEN KNIVES

PULL RATE: 1" OF BLADE PER SECOND • USE EDGE GUIDE

|                          | ANGLE | SPEED | X65 | X22 | X4 | 6000 |
|--------------------------|-------|-------|-----|-----|----|------|
| <b>WESTERN</b>           | 20°   | 3     | 4-8 | 4-8 | 10 | 0    |
| <b>ASIAN</b>             | 16°   | 3     | 0   | 4-8 | 10 | 0    |
| <b>PARING</b>            | 20°   | 3     | 4-8 | 4-8 | 10 | 0    |
| <b>CLEAVER</b>           | 30°   | 4     | 4-8 | 2-8 | 0  | 0    |
| <b>BREAD</b>             | X     | 2     | 0   | 0   | 0  | 2    |
| *10 Strokes = 5 per side |       |       |     |     |    |      |

## OUTDOOR KNIVES

PULL RATE: 1" OF BLADE PER SECOND • NO EDGE GUIDE

|                          | ANGLE | SPEED | X65  | X22  | X4 | 6000 |
|--------------------------|-------|-------|------|------|----|------|
| <b>POCKET</b>            | 25°   | 3     | 6-10 | 6-10 | 10 | 0    |
| <b>HUNTING</b>           | 25°   | 3     | 6-10 | 6-10 | 10 | 0    |
| <b>FILLET</b>            | 20°   | 2     | 6-10 | 6-10 | 10 | 0    |
| <b>SERRATED</b>          | X     | 2     | 0    | 0    | 0  | 2    |
| <b>GUT HOOK</b>          | X     | 3-5   | 0    | 0    | 0  | 2    |
| *10 Strokes = 5 per side |       |       |      |      |    |      |

## BEST TECHNIQUES:

- Resharpener using X4 only.
- Follow the curve of the knife when sharpening for best results.
- Use the Edge Guide on long or flexible blades when possible.
- Use a practice knife to learn.



WITH THE MOTOR OFF, POSITION BELT AT THE HEEL OF YOUR KNIVES EDGE.

# SHARPENING OUTDOOR KNIVES

Reference Belt Information, pg 12 and the Sharpening Reference Chart, pg 15 for recommended angle settings, belt selection, stroke count, speed and choice of edge type.

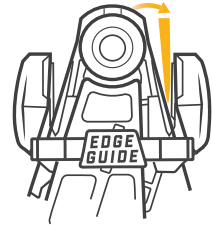
## 1. PLACE THE BLADE IN THE GUIDE

**WITH POWER OFF**, insert blade into right side of sharpening guide all the way to the heel of the edge.

Place knife to the bottom of the guide slot and lean against the outside guide.

Do not put pressure onto / into the sharpening guide. It is intended to provide a reference point for blade position.

Only use light pressure (weight of the blade) when using the sharpening guide to yield best results.



## 2. POWER ON AND PULL THE KNIFE

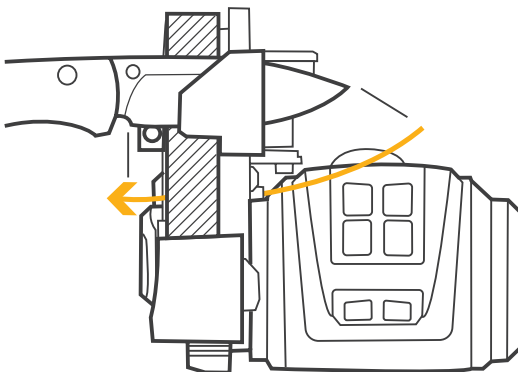
**WITH POWER OFF** and blade placed in the guide, simultaneously squeeze the power switch and pull blade steadily through the guide at 1" per second.

Follow the curve of the blade as you pull through the guide. Keep cutting edge perpendicular to the travel of the belt for best and most consistent results.

Use only the weight of the blade – **DO NOT PRESS DOWN INTO / ONTO GUIDE**. Hover the blade and let the tool do the work for best results.

Power off as the point of the knife approaches the center of the belt.

Pay attention to the proper angle for outdoor knives found on page 15. Ensure you are using the correct angle for each knife.





### 3. REPEAT AND FEEL FOR BURR

Continue sharpening on right side of guide. Check for a burr every 2-3 strokes (see picture).

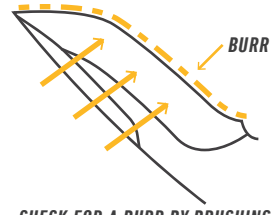
Sharpen until a burr is created along the entire length of the edge.

If burr is not yet raised, See “*KNIFE NOT GETTING SHARP*” in Troubleshooting section.

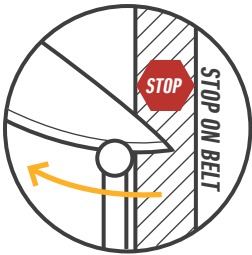
Repeat same number of strokes on other side of blade / sharpening guide. Once the edge is shaped / formed, continue with finer grit belts using alternating strokes. Alternating strokes removes the burr and refines the edge faster.

See *SHARPENING REFERENCE CHART* for the fastest way to a sharp edge section for recommended belt use and stroke count based on the edge you want (Toothy, Shaving, Shiny).

**BEST TECHNIQUES:** (Avoid rounding the tip)  
Maintain factory blade profile / shape:

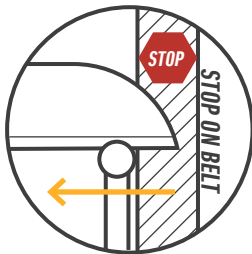
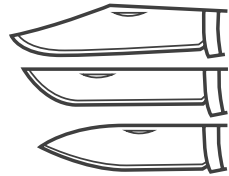


CHECK FOR A BURR BY BRUSHING FINGERS ACROSS/AWAY FROM THE BLADE EDGE.



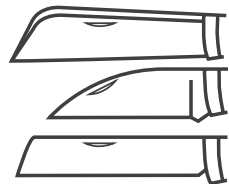
Follow the curve of the blade so the edge remains perpendicular to the travel of the belt. Power Off as the point of the knife approaches the middle of the belt. Lift the knife up and out of the guide.

USE THIS TECHNIQUE FOR THESE BLADE TYPES:



Pull straight through the guide and do not lift the blade handle as you pull. Power off as the point of the knife approaches the middle of the belt. Lift the knife up and out of the guide.

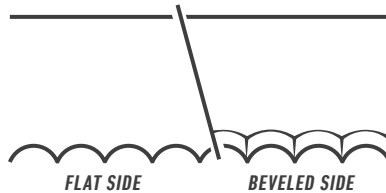
USE THIS TECHNIQUE FOR THESE BLADE TYPES:



**⚠ WARNING:** Do not use excessive pressure when drawing the blade toward yourself. Let the abrasive do the work, and use light pressure. Failure to follow this warning could result in severe injury or death.

# SHARPENING SERRATED KNIVES

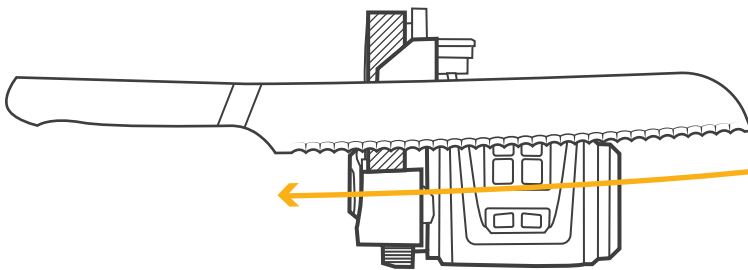
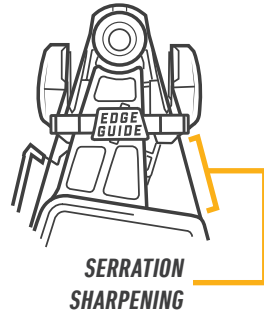
Most serrated knives have a flat side and a bevel side on the blade; **SHARPEN ONLY THE FLAT SIDE.**



**ONLY USE THE FINEST GRIT 6000 BELT FOR SERRATED SHARPENING.**

Place flat side of blade at the bolster / handle against the fine grit abrasive belt. Set to speed 2 and squeeze the power switch and pull knife steadily across the belt from bolster to tip. An 8" blade should take 8 seconds.

Repeat until no burr remains on the flat side of the blade and serration 'teeth' are sharp.



## BEST TECHNIQUES:

Serrated knives can be sharpened with or without the Knife Sharpening Guide installed depending on height of serrated knife.

Only place serrated blades on the right side of the cassette so the belt is traveling downward. Otherwise you risk cutting the belt.

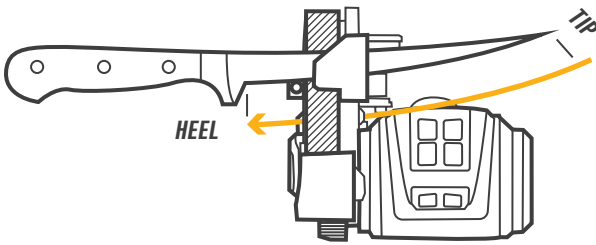
# SHARPENING FILLET KNIVES



Reference the *SHARPENING REFERENCE CHART*, pg 15 for recommended angle settings, belt selection and speed. Otherwise sharpening a fillet knife is the same as other knives.

Use the Edge Guide to help support these long, flexible blades during sharpening to ensure a consistent sharpening along the entire edge.

**USE VERY LIGHT PRESSURE IN THE SHARPENING GUIDE SO THE BLADE DOES NOT FLEX.**



# SHARPENING GUT HOOKS

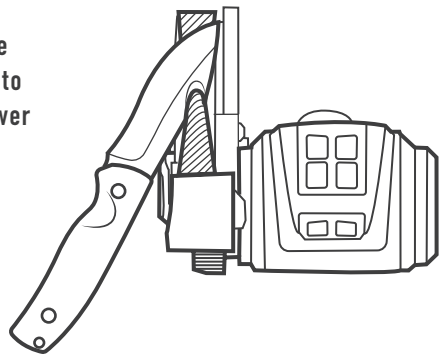


**ONLY USE FINEST GRIT 6000 BELT FOR SHARPENING GUT HOOKS.**

Place curve of gut hook over the belt on the right side of the cassette so the belt is traveling downward; allow belt to conform to blade's curve. Squeeze power switch; hone 2 to 4 seconds. Repeat on other side.

## **BEST TECHNIQUES:**

Only place gut hook on downhill - right side of belt. Otherwise you risk cutting the belt.



# SHARPENING KITCHEN KNIVES

Reference the Sharpening Reference Chart, pg 15 for recommended angle settings, belt selection, stroke count, speed and choice of edge type.

**MOST KITCHEN KNIVES SHOULD BE SHARPENED WITH THE EDGE-GUIDE.**

NO BOLSTER

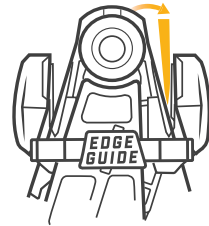


BOLSTER



## 1. PLACE THE BLADE IN THE GUIDE

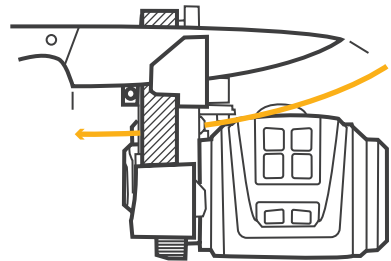
WITH POWER OFF, insert blade into right side of sharpening guide all the way to the heel of the blade. Place knife to the bottom of the guide slot and lean against outside guide.



## 2. POWER ON AND PULL THE KNIFE

WITH POWER OFF and blade placed in the guide, simultaneously squeeze the power switch and pull blade steadily through the guide at 1" per second.

Follow the curve of the blade as you pull through the guide. Keep cutting edge perpendicular to the belt for best and most consistent results.



Use only the weight of the blade – **DO NOT PRESS DOWN INTO / ONTO GUIDE.**

Hover the blade and let the tool do the work for best results.

Continue sharpening on right side of guide. Check for a burr every 2-3 strokes.

Repeat **SAME NUMBER OF STROKES** on other side of blade / sharpening guide.

After the burr is formed, continue sharpening with finer grit belts using **ALTERNATING STROKES.**

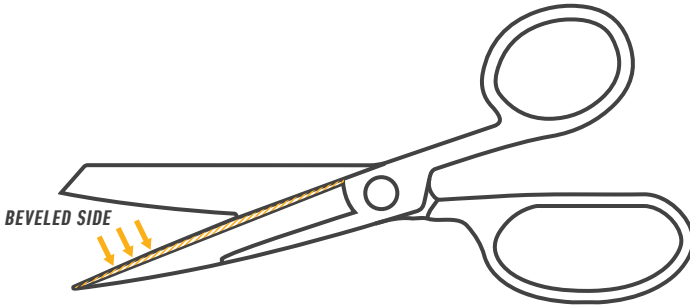
Alternating strokes removes the burr and refine the edge faster.

# SHARPENING SCISSORS

Sharpen **ONLY THE BEVELED SIDE** of your scissors. Marking the beveled side with a black marker will make it easier to see when the cutting edge has been fully sharpened along entire edge.

Use the **6000** grit belt at speed 3 to hone or touch-up scissors.

Use the **X22** belt at speed 3 to sharpen damaged scissors.

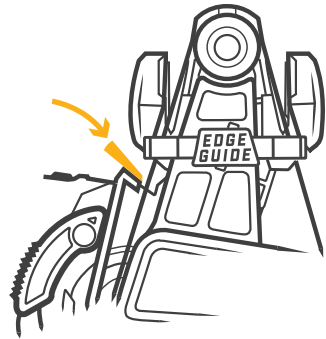


Once scissor blade is properly placed in Sharpening Guide, squeeze power switch and simultaneously pull the scissor blade steadily through the guide at 1" per second.

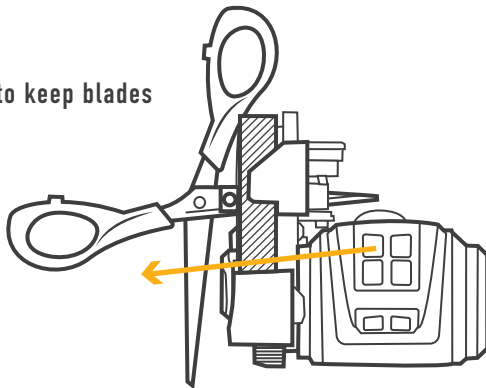
Repeat 1-2 more times or until marker is removed from cutting edge.

Repeat on other scissor blade.

Test scissors for sharpness. Continue sharpening as needed.



Hold scissors as shown to keep blades open during sharpening.



# GRINDING

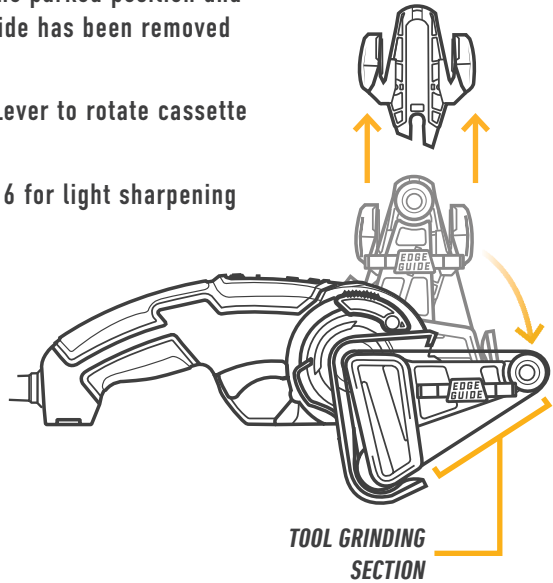
Remove Sharpening Guide. Pull up firmly.

Ensure the Edge Guide is in the parked position and that the Knife Sharpening Guide has been removed before grinding.

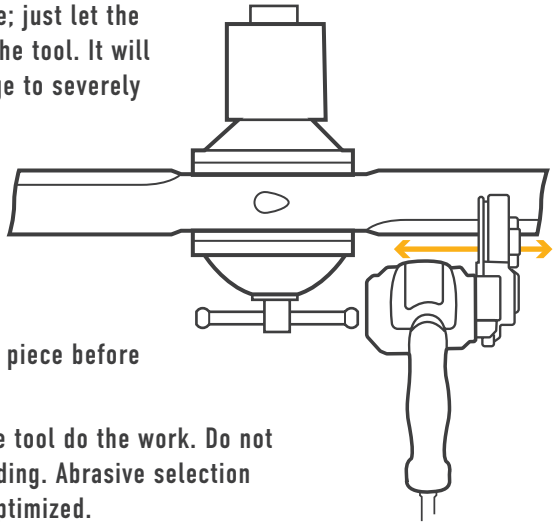
Push Cassette Lock Release Lever to rotate cassette to grind mode.

Use the **P120** belt and speed 6 for light sharpening and grinding tasks.

**⚠ CAUTION:** Loose items can be caught in moving parts. Keep your hair, clothing and gloves away from moving parts. Failure to follow this warning could result in moderate or minor injury.



**NOTE:** Tools such as these do not require sharpening to a precise angle; just let the belt conform to the edge of the tool. It will take longer to restore an edge to severely damaged tools.



## BEST TECHNIQUES

Always clamp or fixture work piece before grinding for optimum safety.

Use light pressure and let the tool do the work. Do not overload the tool during grinding. Abrasive selection and belt speed are already optimized.

Only use the tool grinding section of the belt.





***WORK SHARP***  
210 E Hersey St.  
Ashland OR 97520  
USA

Phone: 1 (800) 597-6170  
Fax: 1 (541) 552-1377  
Email: [info@worksharptools.com](mailto:info@worksharptools.com)  
Visit: [Worksharptools.com](http://Worksharptools.com)

***WORK SHARP***® is a registered trademark of Darex, LLC



USER'S GUIDE FOR THE

# KEN ONION EDITION BLADE GRINDING ATTACHMENT MK.2

WSSAK081122

THIS ATTACHMENT IS ONLY FOR USE WITH THE KEN ONION EDITION  
KNIFE AND TOOL SHARPENER MK.2



**WATCH  
DEMO**



**⚠ WARNING!** To reduce the risk of injury, the user must read and understand this instruction manual before using product. Failure to follow this warning could result in severe injury or death. Save these instructions for future reference.

**⚠ WARNING!** Um die Verletzungsgefahr zu verringern, muss der Benutzer dieses Handbuch gelesen und verstanden haben, bevor er das Produkt einsetzt. Nichtbeachtung dieser Warnung kann zu schweren Verletzungen oder zum Tod führen. Bewahren Sie die Gebrauchsanleitung für späteres Nachschlagen auf.

**⚠ ATTENTION !** Afin d'éviter tout risque de blessure, l'utilisateur doit lire et bien appréhender les consignes de ce mode d'emploi avant l'utilisation de l'appareil. Conserver ce mode d'emploi durant toute la durée de vie de l'appareil.

# TABLE OF CONTENTS

## ENGLISH

|   |    |
|---|----|
| SAFETY INFORMATION .....                            | 3  |
| WARRANTY .....                                      | 3  |
| GETTING TO KNOW YOUR BLADE GRINDING ATTACHMENT..... | 4  |
| ACCESSORY LIST .....                                | 8  |
| SHARPENING .....                                    | 9  |
| 90° GRIND PLATE.....                                | 11 |
| SLACK BELT GRINDING .....                           | 11 |
| FRENCH.....   | 12 |
| GERMAN .....  | 22 |

## **KEN ONION DESIGNED, WORK SHARP ENGINEERED**

“I am proud to be affiliated with this company, I am proud to be affiliated with this sharpener. I am proud of all the projects we have worked on together; because I know how much love, and heart, and compassion goes into everything Work Sharp does.

Thank you for your purchase, and your trust in us to sharpen all of your knives.”



*Ken Onion*

**KEN ONION**

Legendary Hall-of-Fame Knife Maker

PLEASE LEAVE A REVIEW ON AMAZON, WORKSHARPTOOLS.COM  
OR WHEREVER YOU PURCHASED YOUR PRODUCT



# SAFETY INFORMATION

---

**⚠ WARNING!** Read all safety warnings, instructions, illustrations and specifications provided with this power tool. Failure to follow all instructions listed below may result in electric shock, fire and/or serious injury.



Save all warnings and instructions for future reference. The term “power tool” in the warnings refers to your mains-operated (corded) power tool or battery-operated (cordless) power tool.

**⚠ WARNING!** You will be creating incredibly sharp knives with this sharpener. Always keep your fingers, hands, and body clear of the knife edge. Failure to follow these warnings could result in severe injury or death.

**⚠ WARNING!** To minimize the risk of injury, always use proper eye and respiratory protection. Failure to follow this warning could result in severe injury or death.

**⚠ CAUTION!** When transporting the tool with the accessory attached, unplug the power unit and hold both the power unit and the accessory. When attached, do not attempt to pick up or move by only the power unit or only by the accessory. Failure to follow this warning could result in minor injury or property damage.

Consult the WSKTS – Ken Onion Edition MK2 User Guide for Safety and Operation of the power unit.

# WARRANTY

---



This sharpener is covered by Work Sharp’s 3-year warranty. We stand behind and support our products – contact us if you need assistance, parts, or service. Warranty for consumer not industrial or commercial use, excludes abrasives.

Register your warranty online at [www.worksharptools.com](http://www.worksharptools.com).

## QUESTIONS?

---

[WorkSharpTools.com](http://WorkSharpTools.com) / 1.800.418.1439

## WORK SHARP

PO BOX 730  
210 E. Hersey St.  
Ashland, OR 97520 USA

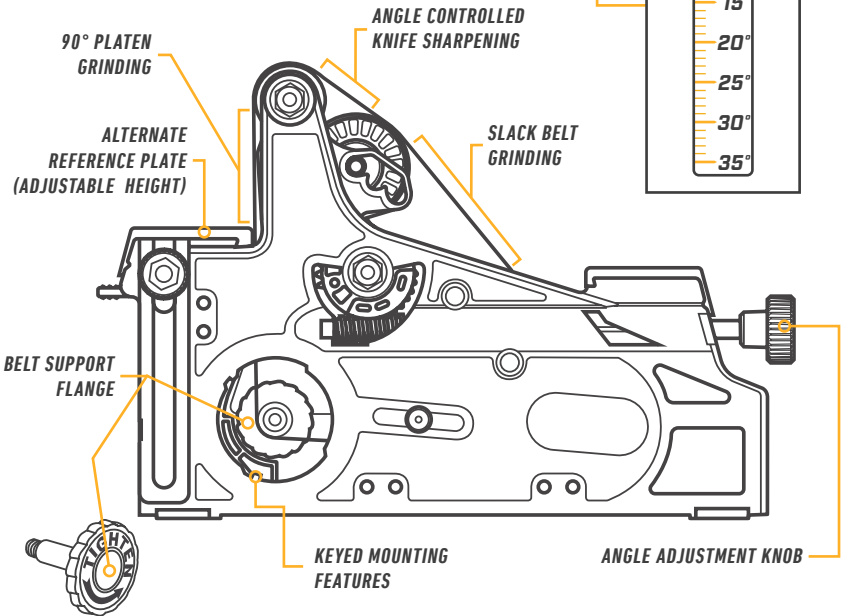
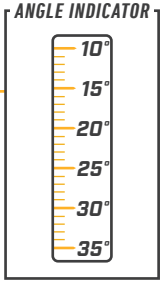
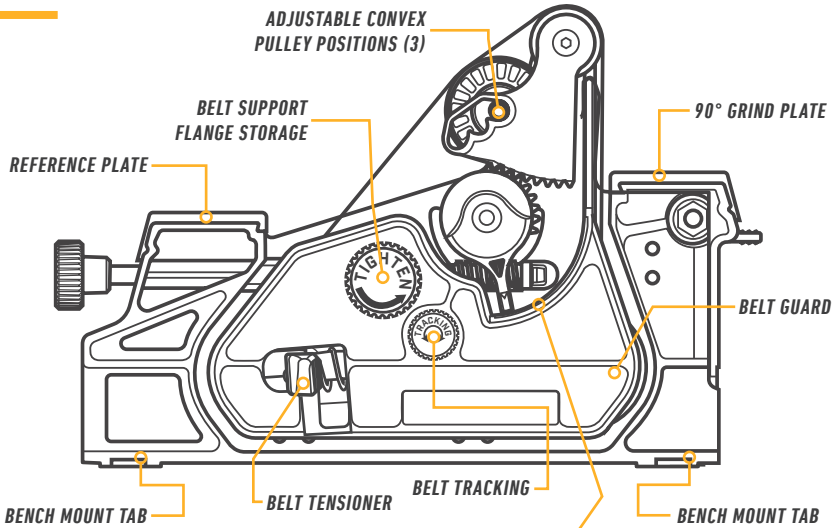


## THE WORKSHOP

Watch our video series on youtube to become a sharpening master.

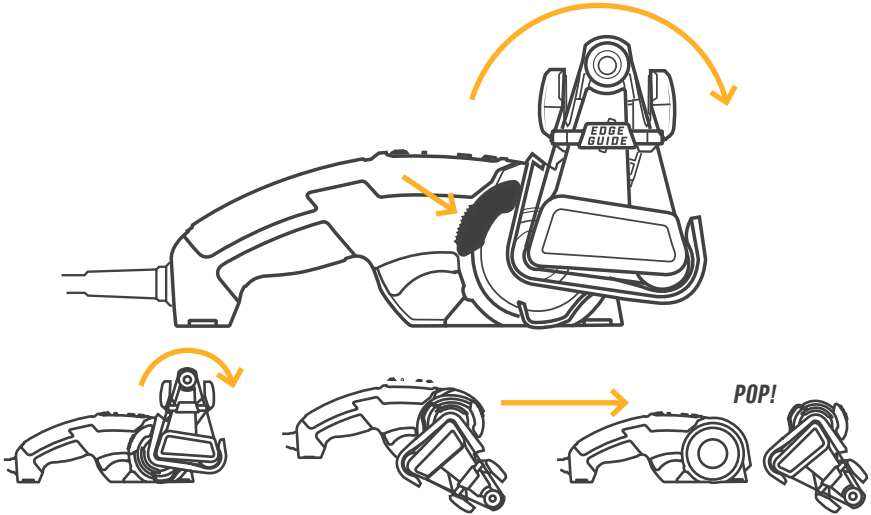
[YOUTUBE.COM/WORKSHARPOUTDOOR](http://YOUTUBE.COM/WORKSHARPOUTDOOR)

# GETTING TO KNOW YOUR BLADE GRINDING ATTACHMENT

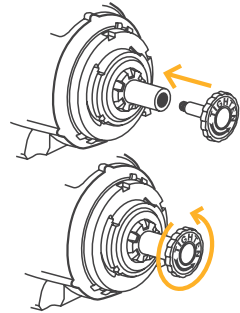


# 1. INSTALLATION

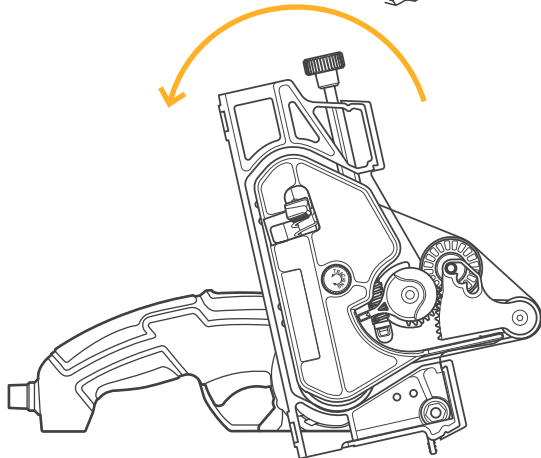
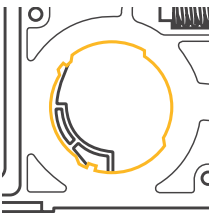
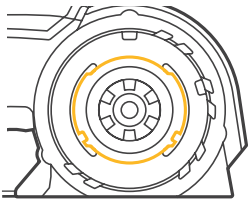
Unplug sharpener from power supply. Remove belt. Press the lock release lever and rotate the Knife Sharpening Cassette to remove the Cassette.



Install the Belt Support Flange onto the Motor Shaft. Rotate counter clockwise until snug.



Install the Blade Grinding Attachment by aligning the chassis to the keyed "ON/OFF" position. Then rotate the attachment to the sharpening position.



## 2. BELT INFORMATION

| BELT NAME    | GRIT  | COLOR       | APPLICATION  |
|--------------|-------|-------------|--|
| Extra-Coarse | P120  | RED         | Extra-Coarse grit belt for tool sharpening and knife repair.   |
| Coarse       | X65   | DARK GREY   | Coarse grit belt for knife shaping.                            |
| Medium       | X22   | LIGHT GREY  | Medium grit belt for knife sharpening.                         |
| Fine         | X4    | WHITE       | Fine grit belt for honing knives and scissors.                 |
| Ultra-Fine   | 12000 | MEDIUM GREY | Ultra-Fine grit belt for serrations, polishing, and stropping. |

Abrasive belt dimensions: 1" x 18"

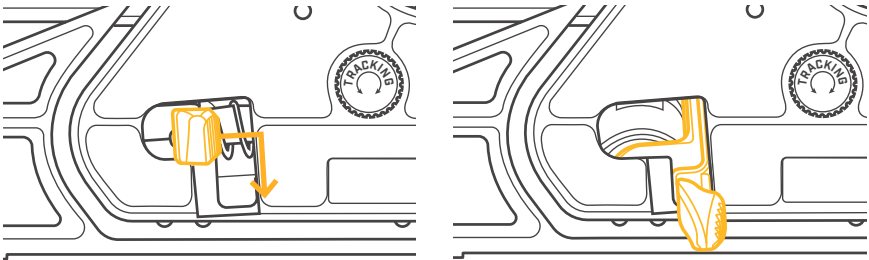
Replacement belts and more grit selection available at: [www.worksharptools.com](http://www.worksharptools.com)

- Engineered abrasives are long lasting and should meet your sharpening needs.
- Keep belts clean and dry for best performance and life.
- Belt grits are labeled on backing ( $\mu$ =micron)  
For reference, belts are equivalent to: X65 (P220) | X22 (P1000) | X4 (P3000)

**Notice:** Only use abrasives recommended for this tool in accordance with these instructions.

**ABRASIVE BELT WEAR:** Belt discoloration is not an indicator of wear. Engineered belts expose new abrasive as they break down. Used belts may take extra strokes, but will continue to remove material. These belts will keep going longer than you think. Keep using them as long as they are still removing material.

## 3. BELT CHANGE

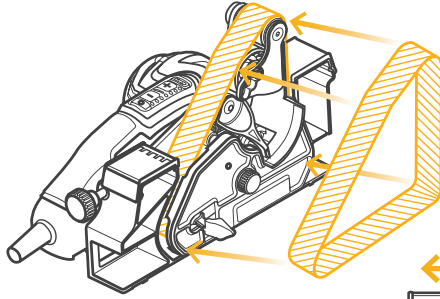


Push the Tensioner Lever towards the Tracking Knob and rotate it down to lock in place.

Remove the current belt from the sharpener.

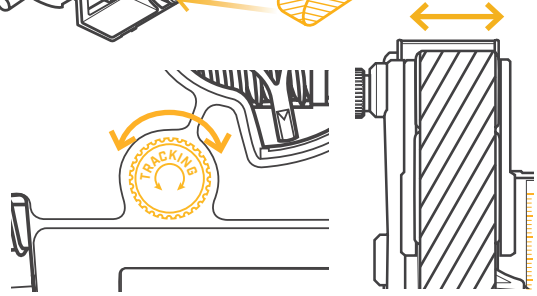
Loop the next belt around the Belt Guard first and then around the Pulleys.

Release the Tensioner Lever.



Track the belt by rotating the Tracking Knob to center the Abrasive Belt over the Pulleys.

Clockwise moves the belt to the left, counterclockwise moves the belt to the right.



#### 4. TOOL SETUP

Choose the pulley location for the desired amount of convex. Pull Convex Pulley as indicated, move to desired position, push to secure in place.

- **HIGH CONVEX:** Outdoor and camp knives
- **MEDIUM CONVEX:** EDC and hunting knives
- **LOW CONVEX:** Kitchen and small knives

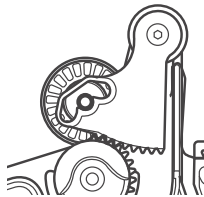


**WARNING!**

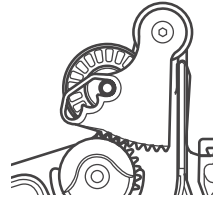
Never adjust convex pulley when unit is powered on or belt is moving.



HIGH CONVEX



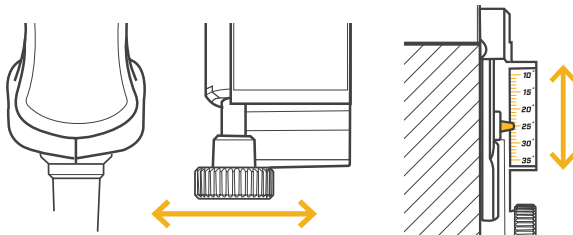
MEDIUM CONVEX



LOW CONVEX

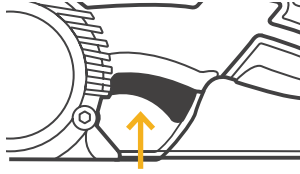
Set the desired sharpening angle.

Rotate the Angle Adjustment Knob until the desired angle is set.



Select and mount an abrasive belt based on the task at hand (see Belt Change Section for details.)

Once desired belt is installed, Turn on power by squeezing the Power Switch under the handle (see Speed Control Adjustment section for details).



**⚠ CAUTION:** Loose items can be caught in moving parts. Keep your hair, clothing and gloves away from moving parts. Failure to follow this warning could result in moderate or minor injury.

## 5. SPEED CONTROL ADJUSTMENT

**CONTINUOUS MOTOR RUN MODE:** Squeeze the Power Switch and press the button directly above the speed controls to lock the motor on.

Use the Plus (+) and Minus (-) buttons to increase or decrease the speed of the abrasive belt. SFM = Surface Feet Per Minute

- **HIGHEST:** 7 lights 2590 SFM
- **HIGH:** 6 lights 2340 SFM
- **MED-HIGH:** 5 lights 2050 SFM
- **MEDIUM:** 4 lights 1770 SFM
- **MED-LOW:** 3 lights 1460 SFM
- **LOW:** 2 lights 1190 SFM
- **LOWEST:** 1 light 850 SFM



**CONTINUOUS RUN  
GRINDING**

**SHAPING KNIVES**

**SHARPENING KNIVES**

**POWER OFF**

## ACCESSORY LIST

- **WSKTS-KO BLADE GRINDING BELT KIT (1"X18" Belts):** WSSAK081115
- **EXTRA COARSE P120 GRIT BELTS (1"X18" Belts):** SA0003564
- **COARSE X65 GRIT BELTS (1"X18" Belts):** SA0003585
- **MEDIUM X22 GRIT BELTS (1"X18" Belts):** SA0003584
- **FINE X4 GRIT BELTS (1"X18" Belts):** SA0003565
- **EXTRA FINE 12,000 GRIT BELTS (1"X18" Belts):** SA0003566
- **STROPPING BELT KIT (1"X18" Belts with .5µ compound):** WSSAK081121



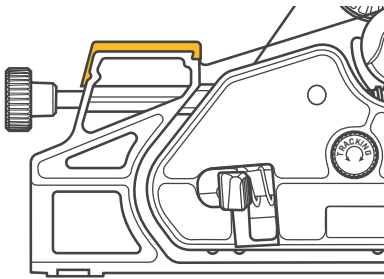
# SHARPENING

Place the spine of the blade flat onto the Reference Plate. While keeping the blade flat, move up onto the belt surface between the top two Pulleys and place the heel of the blade edge onto the abrasive.

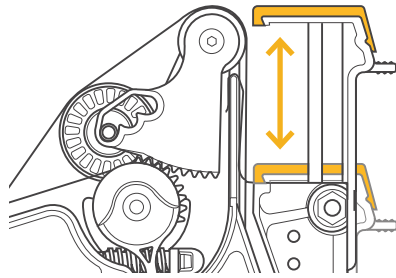
Note: The 90° Reference Plate can be raised up to be used as an alternate Reference Plate for Angle Controlled Sharpening. Loosen the Knob and raise the plate to the desired location.



Primary Reference Plate

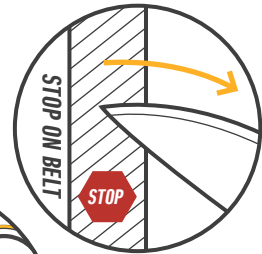
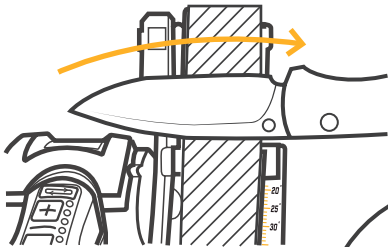


Alternate Reference Plate

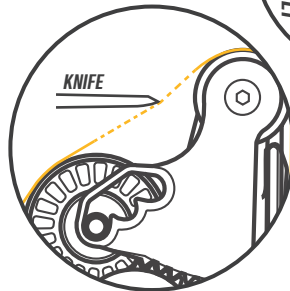


Move the blade flat across the Abrasive Belt (1" per second) and stop the tip of the knife on the middle of the belt. Then pull the blade away from the belt.

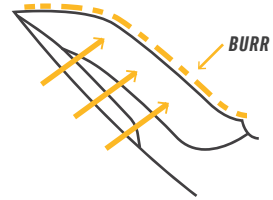
Follow the curve of the knife as you move across the belt. Keep the cutting edge perpendicular to the travel of the belt for the best and most consistent results.



Use very light pressure on belt (less than 1/16" deflection). Using excessive pressure can overload the motor and cause damage or motor failure.

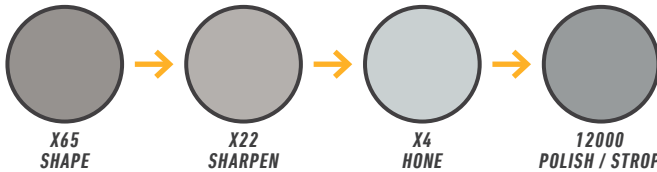


Continue sharpening the same side of the blade until a burr is raised along the entire edge. Count the number of strokes this takes. Repeat the same number of strokes on the other side of the blade.



Continue up the grit scale until the desired sharpness is achieved. Ensure tracking and tension is properly set when you change belts.

CHECK FOR A BURR BY BRUSHING FINGERS ACROSS/AWAY FROM THE BLADE EDGE.



**⚠ WARNING:** Do not use excessive force when sharpening. Let the abrasive do the work, and use light pressure. Failure to follow this warning could result in severe injury or death.

## THE SHARPENING PROCESS:



### FACTORY EDGE

Most knives are flat ground from the factory and have a smaller bevel height or surface area.



### CONVEX GRIND IN PROCESS

Re-sharpening to a lower angle and a convex grind takes time. Be patient and ensure you create a burr.



### CONTINUE TO NEXT GRIT

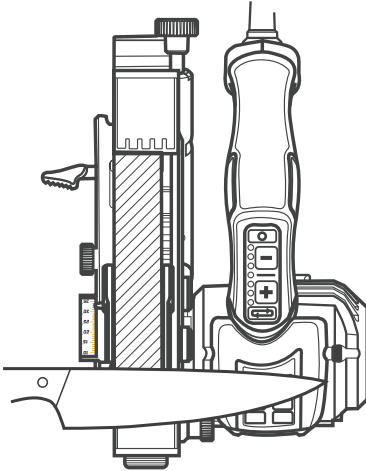
Sharpen one side of the knife until a burr is created. Switch to the other side and create a burr before switching to a finer grit belt.

## BEST TECHNIQUES:

- Be mindful that accommodations will need to be made for every blade such as thumbstuds, pocket clips, blade profile or handle design. Test run the blade through the process on both bevels without power first to ensure accommodations can be made before sharpening.
- Use a practice knife, low speed and fine grit belt to learn proper technique.

# 90° GRIND PLATE

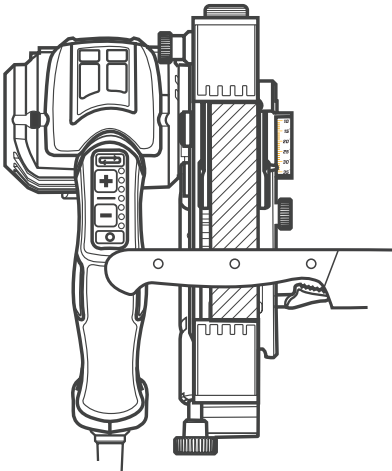
This feature can be used for multiple purposes such as, but not limited to, chamfering edges, flattening a knife spine, creating a flat edge grind, etc. Use light pressure. Let the abrasives do the work for you.



**Notice:** Only to be used for grinding when the 90° grind plate is in the lowest position.

# SLACK BELT GRINDING

The slack belt section of the Abrasive Belt can be used for, but not limited to, radiusing edges and shaping knife handles, Use light pressure. Let the abrasives do the work for you.



# CONTENU

|  |    |
|--|----|
| ANGLAIS .....  | 2  |
| FRANÇAIS   |    |
| INFORMATIONS DE SÉCURITÉ .....                         | 13 |
| GARANTIE .....   | 13 |
| PRÉSENTATION DE L'ACCESSOIRE DE MEULAGE DE LAMES ..... | 14 |
| LISTE D'ACCESSOIRES .....                              | 18 |
| AFFÛTAGE .....   | 19 |
| PLAQUE DE MEULAGE À 90° .....                          | 21 |
| MEULAGE À COURROIE RELÂCHÉE .....                      | 21 |
| ALLEMAND .....   | 22 |

## CONÇU PAR KEN ONION, FABRIQUÉ PAR WORK SHARP

« Je suis fier d'être associé à cette entreprise et d'avoir aidé à développer cet affûteur. Je suis très content de tous les projets sur lesquels nous avons travaillé, car je sais que Work Sharp y consacre à chaque fois tout son amour, sa passion et sa compassion. Merci d'avoir acheté ce produit, et merci de nous faire confiance pour aiguiser tous vos couteaux et lames ».



*Ken Onion*

**KEN ONION**

Fabricant de couteaux légendaire  
du Temple de la renommée

**N'HÉSITEZ PAS, FAITES-NOUS PART DE VOTRE AVIS SUR AMAZON,  
WORKSHARPTOOLS.COM OU TOUT AUTRE SITE D'ACHAT DE VOTRE PRODUIT.**



# INFORMATIONS DE SÉCURITÉ

**⚠ AVERTISSEMENT !** Prenez connaissance de tous les avertissements de sécurité, instructions, illustrations et spécifications fournis avec cet outil électrique. Le non-respect de l'ensemble des instructions fournies ci-dessous peut provoquer un choc électrique, un incendie et/ou causer des blessures graves.



Conservez tous les avertissements et instructions pour les consulter par la suite. Le terme « outil électrique » désigne un outil fonctionnant soit sur le secteur et doté d'un cordon d'alimentation, soit avec des piles/batteries sans cordon électrique (sans fil).

**⚠ AVERTISSEMENT !** Cet affûteur vous permettra d'obtenir des couteaux extrêmement tranchants. Gardez toujours les doigts, les mains et autres parties du corps à l'écart du tranchant du couteau. Le non-respect de ces avertissements peut conduire à des blessures graves voire mortelles.

**⚠ AVERTISSEMENT !** Pour réduire le risque de blessure, utilisez toujours une protection oculaire et respiratoire adéquate. Le non-respect de cet avertissement peut conduire à des blessures graves voire mortelles.

**⚠ ATTENTION !** Si vous devez transporter l'outil et que l'accessoire y est fixé, débranchez le bloc d'alimentation et tenez à la main l'accessoire et le bloc. Une fois l'outil entièrement monté, attention à ne jamais le saisir ou le déplacer en le prenant par le bloc d'alimentation ou l'accessoire. Le non-respect de cet avertissement peut entraîner des blessures légères ou des dégâts matériels.

Reportez au document WSKTS – Guide de l'utilisateur Ken Onion édition MK2 pour plus d'informations sur l'utilisation en toute sécurité du bloc d'alimentation.

## GARANTIE



\*Exclut les Abrasifs

Cette affûteuse est couverte par la garantie Work Sharp pendant une durée de 3 ans. Nous croyons en nos produits et offrons une assistance complète pour chacun d'entre eux. N'hésitez pas à nous contacter pour toute demande d'assistance, de pièces ou de réparation.

La garantie s'applique aux utilisations par des particuliers et non à celles à caractère industriel ou commercial, à l'exclusion des abrasifs. Enregistrez votre garantie en ligne sur le site [WorkSharpTools.com](https://www.WorkSharpTools.com).

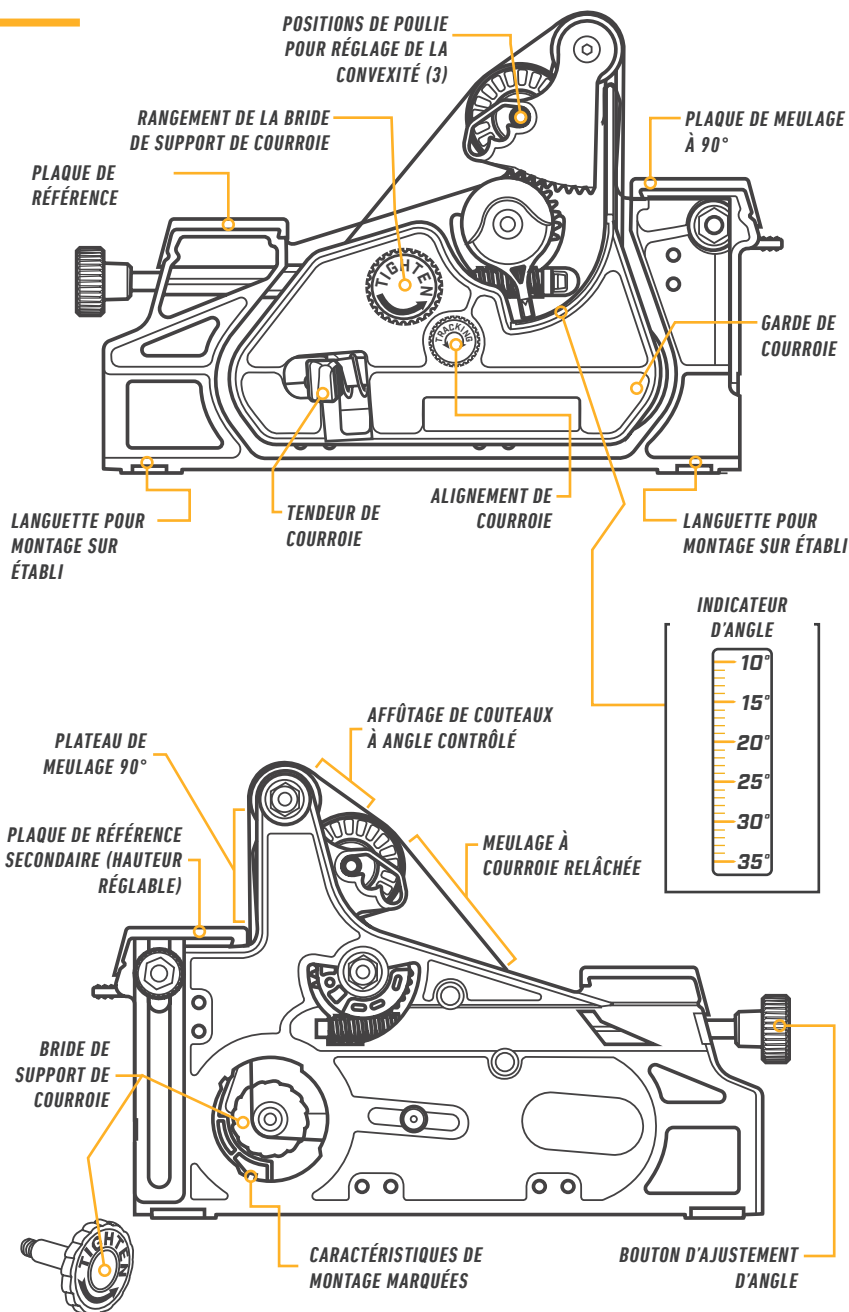


THE  
**WORKSHOP**

Regardez notre série de vidéos sur YouTube pour devenir un champion de l'affûtage.

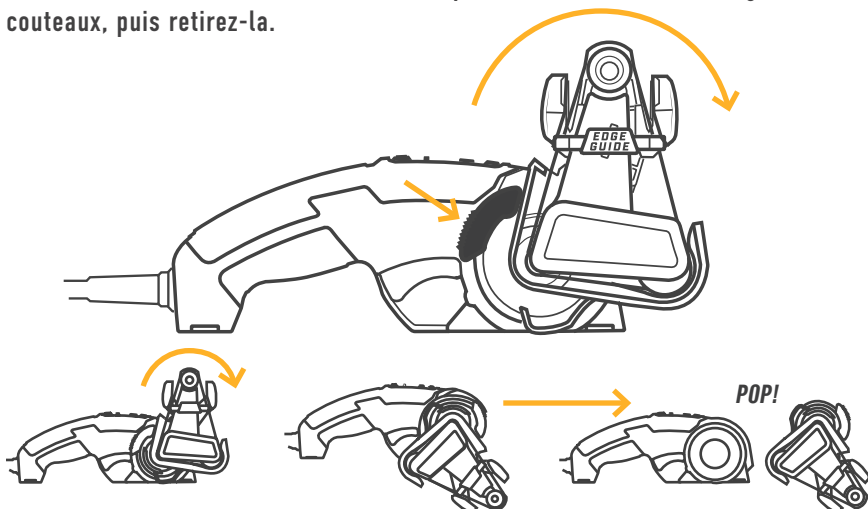
[YOUTUBE.COM/WORKSHARPOUTDOOR](https://www.youtube.com/worksharpoutdoor)

# PRÉSENTATION DE L'ACCESSOIRE DE MEULAGE DE LAMES

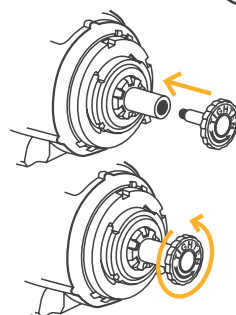


## 1. INSTALLATION

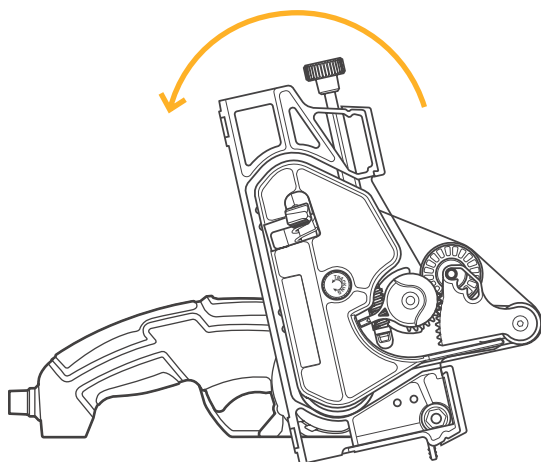
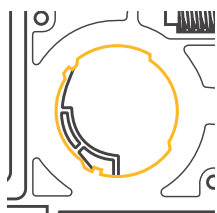
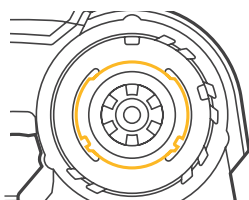
Débranchez l'affûteur de l'alimentation électrique. Retirez la courroie. Enfoncez le levier de libération du verrou et faites pivoter la cassette d'affûtage de couteaux, puis retirez-la.



Installez la bride de support de courroie sur l'entraînement. Faites tourner dans le sens antihoraire jusqu'à ce que la courroie soit bien serrée.



Installez l'accessoire de meulage de lames en alignant le châssis sur la position marquée « ON/OFF ». Faites ensuite pivoter l'accessoire jusqu'à la position d'affûtage.



## 2. INFORMATIONS RELATIVES AUX COURROIES

| NOM DE LA COURROIE | GRAINS | COULEUR           | UTILISATIONS   |
|--------------------|--------|-------------------|--|
| Extra Gros         | P120   | <b>ROUGE</b>      | Grains extra-grossiers pour l'affûtage des outils et la réparation des couteaux. |
| Gros               | X65    | <b>GRIS FONCÉ</b> | Gros grains pour le façonnage des couteaux.                                      |
| Moyen              | X22    | <b>GRIS CLAIR</b> | Grain moyen pour l'affûtage des couteaux.  |
| Fin                | X4     | <b>BLANC</b>      | Grains fins pour aiguiser les couteaux et les ciseaux.                           |
| Ultrafin           | 12000  | <b>GRIS MOYEN</b> | Grains ultra-fins pour les dentelures, le polissage, et stropping.               |

Dimensions de la bande abrasive : 2.54cm x 20.32cm

Courroies de remplacement et plus disponibles sur : [www.worksharptools.com](http://www.worksharptools.com)

- Les abrasifs techniques sont plus durables et devraient répondre à vos besoins en matière d'affûtage.
- Gardez les courroies propres pour obtenir de meilleurs résultats et prolonger leur durée de vie.
- Les grains des courroies sont indiqués au dos ( $\mu$  = micron). Pour référence, les courroies sont équivalentes à :X65 (P220) | X22 (P1000) | X4 (P3000)

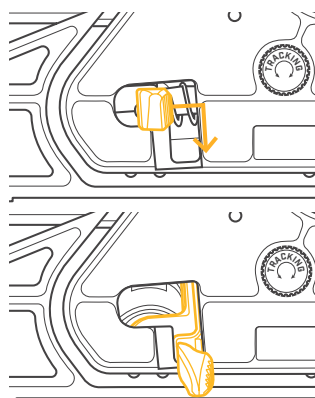
**Avis :** Utilisez uniquement les abrasifs recommandés pour cet outil, conformément aux présentes instructions.

**USURE DE LA COURROIE ABRASIVE :** La décoloration de la courroie n'est pas un indicateur d'usure. Les courroies techniques exposent une nouvelle couche d'abrasif à mesure qu'elles s'usent. Les courroies usées nécessiteront peut-être d'avoir recours à plus de passes, mais continueront à retirer de la matière. Ces courroies durent plus longtemps que vous le pensez. Tant qu'elles vous permettent de meuler, continuez à les utiliser.

## 3. CHANGEMENT DE COURROIE

Enfoncez le levier tendeur vers le bouton d'alignement et faites-le tourner pour le bloquer.

Retirez la courroie actuellement installée sur



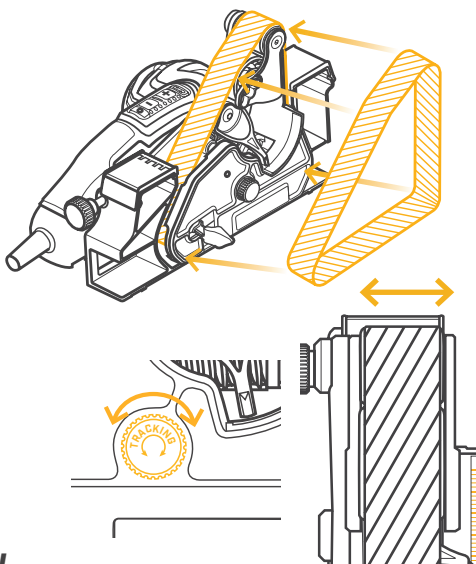


Faites passer la nouvelle courroie autour de la garde de courroie, puis autour des poulies.

Débloquez le levier tendeur.

Alignez la courroie en faisant tourner le bouton d'alignement pour centrer la courroie abrasive par-dessus les poulies.

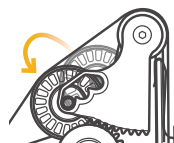
Tournez dans le sens horaire pour déplacer la courroie vers la gauche, et dans le sens antihoraire pour la déplacer vers la droite.



#### 4. PRÉPARATION DE L'OUTIL

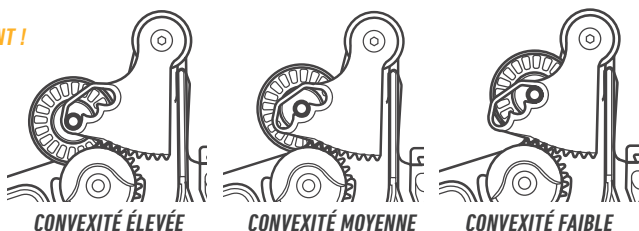
Choisissez un point par rapport à la poulie en fonction de la convexité souhaitée. Tirez la poulie à forme convexe comme indiqué, déplacez-la jusqu'à la position souhaitée et enfoncez-la pour la fixer.

- **CONVEXITÉ ÉLEVÉE** : Couteaux d'extérieur et de camping
- **CONVEXITÉ MOYENNE** : Couteaux de chasse et petits couteaux
- **CONVEXITÉ FAIBLE** : Couteaux de cuisine et petites lames



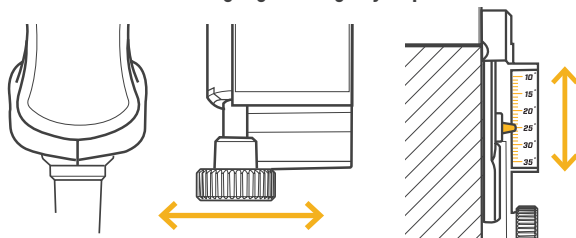
#### ⚠ AVERTISSEMENT !

La poulie à forme convexe ne doit jamais être réglée lorsque l'unité est sous tension ou la courroie en mouvement.



Réglez l'angle d'affûtage souhaité.

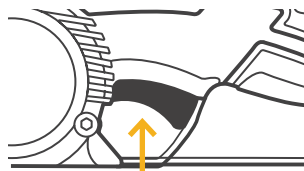
Faites tourner le bouton de réglage d'angle jusqu'à obtenir l'angle souhaité.



Choisissez et installez une courroie abrasive en fonction de la tâche à effectuer (voir la section Changement de courroie pour plus d'informations).

Une fois la courroie de votre choix installée, mettez l'outil sous tension en appuyant sur l'interrupteur d'alimentation placé sous la poignée (voir la section Réglage du contrôle de vitesse pour plus d'informations).

**⚠ ATTENTION :** Les pièces mobiles risquent d'entraîner les éléments non fixés situés autour. Gardez les cheveux, les vêtements et les gants à l'écart des pièces mobiles. Le non-respect de cet avertissement pourrait conduire à des blessures mineures ou modérées.



## 5. RÉGLAGE DU CONTRÔLE DE VITESSE

**MOTEUR EN FONCTIONNEMENT CONTINU :** Appuyez sur l'interrupteur d'alimentation et appuyez sur le bouton directement situé au-dessus des commandes de vitesse pour garder le moteur en fonctionnement continu.

Utilisez les boutons (+) et (-) pour augmenter ou réduire la vitesse de la courroie abrasive. m/s = Mètre par seconde.

- **TRÈS ÉLEVÉ :** 7 voyants 3.9 m/s
- **ÉLEVÉ :** 6 voyants 5.3 m/s
- **MOYEN-ÉLEVÉ :** 5 voyants 6.8 m/s
- **MOYEN :** 4 voyants 8.2 m/s
- **MOYEN-BAS :** 3 voyants 9.7 m/s
- **BAS :** 2 voyants 11 m/s
- **TRÈS BAS :** 1 voyant 14.2 m/s



**FONCTIONNEMENT CONTINU  
MEULAGE**

**MODELAGE**

**AFFÛTAGE**

**POSITION OFF**

## LISTE D'ACCESSOIRES

- **WSKTS-KO ACCESSOIRE DE MEULAGE DE LAMES KIT DE CEINTURE:** WSSAK081115
- **KIT DE COURROIE D'AFFÛTAGE:** WSSAK081121

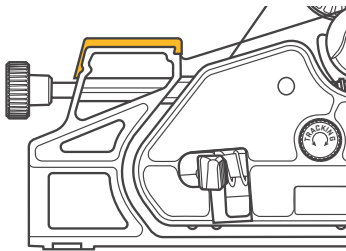
# AFFÛTAGE

Placez le dos de la lame à plat sur la plaque de référence. Tout en gardant la lame bien à plat, déplacez-la sur la surface de la courroie entre les deux poulies du dessus, et placez le talon de la lame sur la partie abrasive.

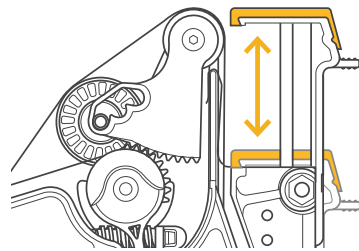
Remarque : Pour l'affûtage à angle contrôlé, vous pouvez lever la plaque de référence à 90° et ainsi obtenir une plaque secondaire. Desserrez le bouton et levez la plaque à la hauteur souhaitée.



Plaque de référence principale

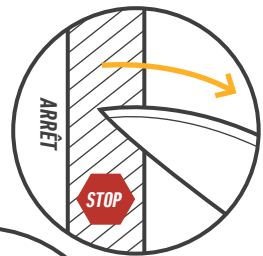
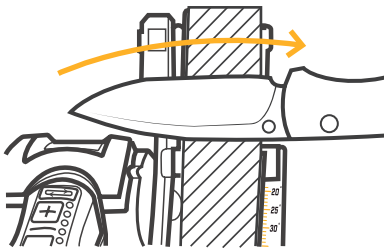


Plaque de référence secondaire

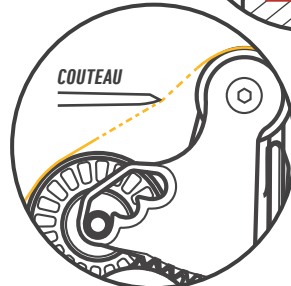


Déplacez la lame à plat le long de la courroie abrasive (à un rythme de 2,5 cm/s) et arrêtez la pointe du couteau au milieu de la courroie. Écartez ensuite la lame de la courroie.

Suivez la courbe du couteau lorsque vous déplacez la lame sur la courroie. Pour obtenir des résultats optimaux et homogènes, gardez le tranchant perpendiculaire au sens de déplacement de la courroie.

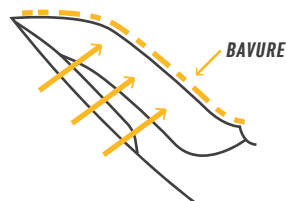


Exercez une très légère pression sur la courroie (déflexion inférieure à 1/16"). L'application d'une pression excessive risque d'entraîner une surcharge ou une panne du moteur ou de l'endommager.

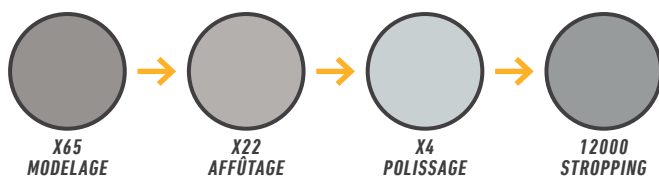


Continuez à affûter la lame du même côté jusqu'à ce qu'un morfil se forme tout le long du bord. Comptez le nombre de passes nécessaires. Répétez le même nombre de passes sur l'autre côté de la lame.

Continuez à augmenter le niveau de grain jusqu'à obtenir le degré d'affûtage souhaité. Au moment de changer les courroies, vérifiez que l'alignement et la tension sont correctement réglés.



VÉRIFIEZ LA PRÉSENCE DU MORFIL EN PASSANT LES DOIGTS EN TRAVERS DU TRANCHANT DE LA LAME.



**⚠ AVERTISSEMENT !** N'appuyez pas excessivement quand vous tirez la lame vers vous. Laissez l'abrasif faire le travail, en appuyant légèrement. Le non-respect de cet avertissement peut conduire à des blessures graves voire mortelles.

## PROCESSUS D'AFFÛTAGE :



### SORTIE D'USINE

Les couteaux sont meulés pour la plupart à plat et présentent un biseau de hauteur ou de surface plus petite.



### PROCESSUS DE MEULAGE CONVEXE

Le réaffûtage à un angle plus bas et à un meulage convexe prend du temps. Faites preuve de patience et assurez-vous de bien obtenir un morfil.



### PASSAGE AU GRAIN SUIVANT

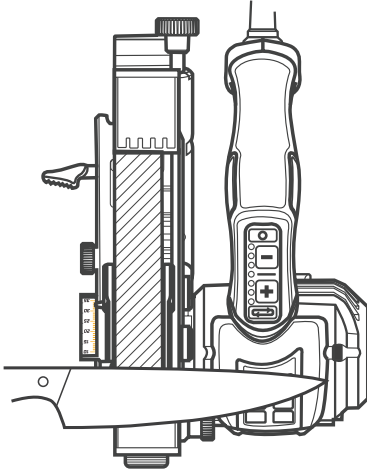
Affûtez un côté du couteau jusqu'à ce qu'un morfil se forme. Passez à l'autre côté jusqu'à obtenir un morfil avant de passer à une courroie à grain plus fin.

## BONNES PRATIQUES :

- Vous devrez effectuer des ajustements pour chaque type de lame, par exemple pour les ergots, les clips de poche ou encore en fonction du profil de la lame ou de la forme du manche. Testez la lame avant le processus sur les deux biseaux, d'abord avec l'appareil hors tension pour vérifier les ajustements à effectuer avant l'affûtage.
- Pour perfectionner la technique, utilisez un couteau d'entraînement.

# PLAQUE DE MEULAGE À 90°

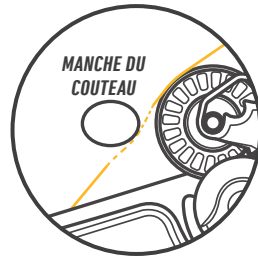
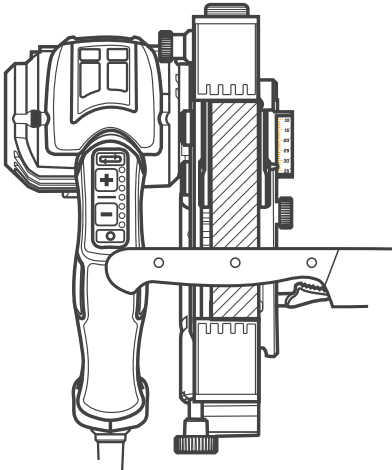
Cette fonctionnalité peut être utilisée à plusieurs fins, notamment pour chanfreiner des bords, aplatir le dos d'un couteau, créer un bord rodé plat, etc. Exercez une légère pression. Laissez les bandes abrasives faire le travail.



**Avis :** À n'utiliser pour le meulage que si la plaque de meulage à 90° est à sa position la plus basse.

# MEULAGE À COURROIE RELÂCHÉE

La courroie abrasive contient une section relâchée qui peut être utilisée pour ébavurer les bords et modeler les manches de couteaux, par exemple. Appliquez une pression légère. Laissez les bandes abrasives faire le travail.



# INHALTSVERZEICHNIS

|                                |    |
|--------------------------------|----|
| ENGLISCH .....                 | 2  |
| FRANZÖSISCH .....              | 12 |
| DEUTSCH                        |    |
| SICHERHEITSHINWEISE .....      | 23 |
| GARANTIE .....                 | 23 |
| IHR MESSERSCHLEIFAUFSATZ ..... | 24 |
| ZUBEHÖR .....                  | 28 |
| SCHÄRFEN .....                 | 29 |
| 90°-SCHLEIFPLATTE .....        | 31 |
| LOCKERES BANDSCHLEIFEN .....   | 31 |

## ENTWURF: KEN ONION, ENTWICKLUNG: WORK SHARP

„Ich bin stolz, mit diesem Unternehmen und diesem Schärfergerät verbunden zu sein. Ich bin stolz auf all die Projekte, an denen wir gemeinsam gearbeitet haben, denn ich weiß, wie viel Liebe, Herz und Mitgefühl in allem steckt, was Work Sharp macht.

Vielen Dank für Ihren Kauf und Ihr Vertrauen in unsere Fähigkeit, Ihre Messer zu schärfen.“



*Ken Onion*

**KEN ONION**

Legendärer Hall-of-Fame-Messermacher

BITTE HINTERLASSEN SIE EINE REZENSION AUF AMAZON, WORKSHARPTOOLS.COM ODER WO IMMER SIE IHR PRODUKT GEKAUFT HABEN.



# SICHERHEITSHINWEISE

**⚠️ WARNUNG!** Beachten Sie alle Sicherheitshinweise, Anweisungen, Abbildungen und Spezifikationen, die diesem Elektrowerkzeug beiliegen. Die Nichtbeachtung der folgenden Anweisungen kann zu Stromschlag, Brand und/oder schweren Verletzungen führen.



Bewahren Sie alle Sicherheitshinweise und Anweisungen zum späteren Nachschlagen auf. Der Begriff „Elektrowerkzeug“ in den Warnhinweisen bezieht sich auf Ihr netzbetriebenes (kabelgebundenes) oder batteriebetriebenes (schnurloses) Elektrowerkzeug.

**⚠️ WARNUNG!** Mit diesem Messerschärfer werden Sie unglaublich scharfe Messer herstellen. Halten Sie Ihre Finger, Hände und Ihren Körper immer von der Messerschneide fern. Die Nichtbeachtung dieser Warnungen kann zu schweren Verletzungen oder zum Tod führen.

**⚠️ WARNUNG!** Um das Verletzungsrisiko zu minimieren, tragen Sie immer einen geeigneten Augen- und Atemschutz. Die Nichtbeachtung dieser Warnung kann zu schweren Verletzungen oder zum Tod führen.

**⚠️ VORSICHT!** Beim Transport des Gerätes mit aufgesetztem Zubehör ziehen Sie den Stecker des Netzteils und halten Sie sowohl das Netzteil als auch den Aufsatz fest. Versuchen Sie nicht, das Gerät nur am Netzteil oder nur am Aufsatz zu heben oder zu bewegen. Die Nichtbeachtung dieser Warnung kann zu leichten Verletzungen oder zu Schäden am Gerät führen.

Lesen Sie das WSKTS – Ken Onion Edition MK2 Benutzerhandbuch für Sicherheit und Betrieb des Netzteils.

## GARANTIE



\*Ausgenommen Schleifmittel

Dieser Messer- und Werkzeugschärfer ist durch die 3-Jahres-Garantie von Work Sharp abgedeckt. Wir stehen hinter unseren Produkten und bieten Supportleistungen – kontaktieren Sie uns, wenn Sie Hilfe, Ersatzteile oder Wartungen benötigen.

Schleifmittel sind von der Garantie für Verbraucher, die das Produkt nicht für industrielle oder gewerbliche Zwecke verwenden, ausgeschlossen. Registrieren Sie Ihre Garantie online unter [WorkSharpTools.com](http://WorkSharpTools.com).

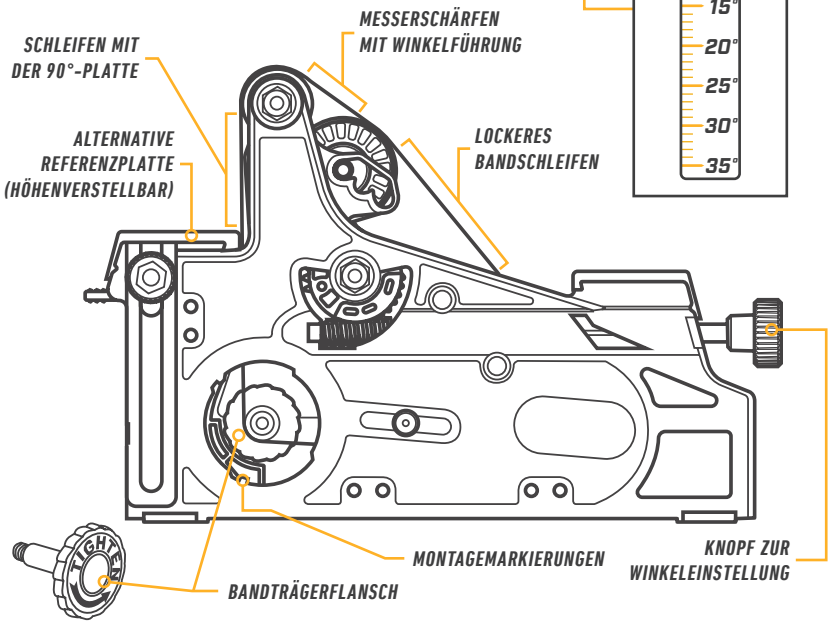
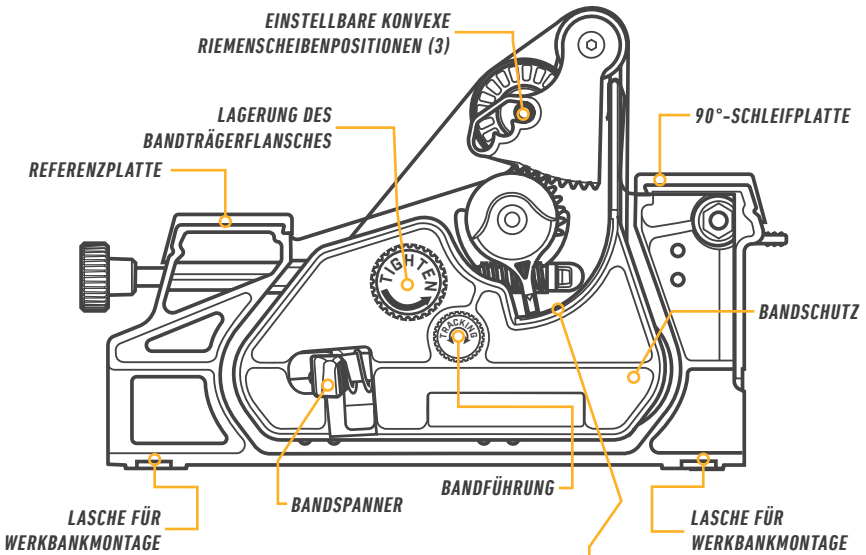


— THE —  
**WORKSHOP**

Sehen Sie sich unsere Videoserie auf Youtube an und werden Sie Meister im Schärfen.

[YOUTUBE.COM/WORKSHARPOUTDOOR](https://www.youtube.com/worksharpoutdoor)

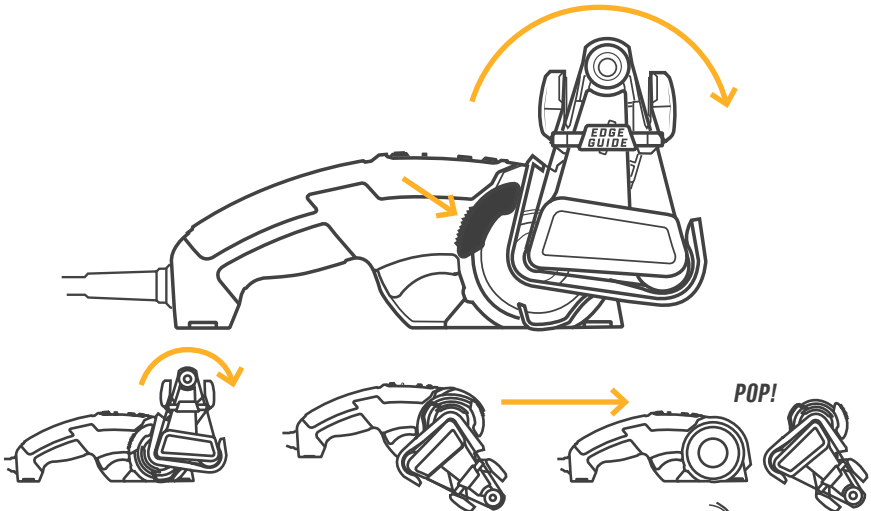
# IHR MESSERSCHLEIFAUFSATZ



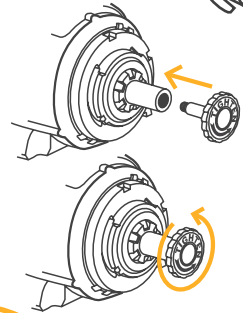


# 1. INSTALLATION

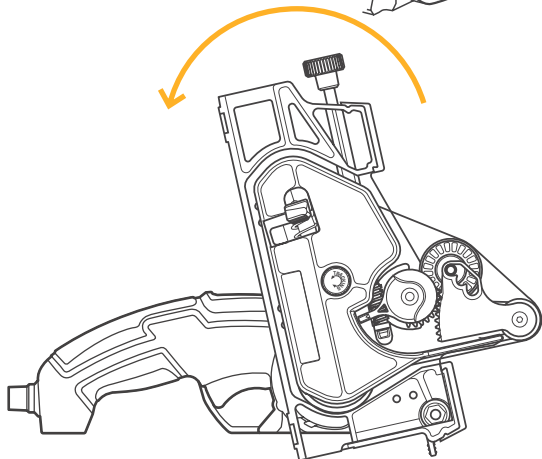
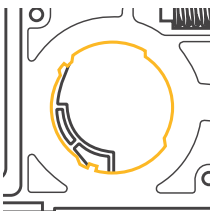
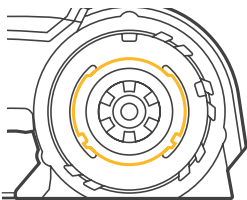
Ziehen Sie den Netzstecker des Schleifgeräts aus der Steckdose. Nehmen Sie das Schleifband ab. Drücken Sie den Entriegelungshebel und drehen Sie die Kassette für das Messerschärfen, um sie zu entfernen.



Setzen Sie den Bandträgerflansch auf den Antrieb. Drehen Sie ihn gegen den Uhrzeigersinn, bis er fest sitzt.



Installieren Sie den Messerschleifaufsatz, indem Sie dessen Gehäuse auf die markierte „ON/OFF“-Position (EIN/AUS) ausrichten. Drehen Sie dann den Aufsatz in die Position „Schärfen“.



## 2. GÜRTELINFORMATIONEN

| GÜRTELNAME | KORN  | FARBE      | ANWENDUNG                                |
|------------|-------|------------|--|
| Extra-Grob | P120  | ROT        | Werkzeugschärfen und Messerreparatur.    |
| Grob       | X65   | DUNKELGRAU | Messerformung.                           |
| Mittel     | X22   | HELLGRAU   | Messer schärfen.                         |
| Fein       | X4    | WEISS      | Schärfen von Messern und Scheren.        |
| Ultra-Fein | 12000 | MITTELGRAU | Verzahnung, Polieren, und streichriemen. |

Abmessungen des Schleifbandes: 2.54cm x 20.32cm

Ersatzriemen und mehr finden Sie unter: [www.worksharptools.com](http://www.worksharptools.com)

- Technische Schleifmittel sind länger haltbar und sollten Ihre Schleifanforderungen erfüllen.
- Halten Sie die Schleifbänder sauber und trocken, um eine optimale Leistung und Lebensdauer zu gewährleisten.
- Die Körnung der Bänder ist auf der Rückseite angegeben ( $\mu$ =Mikrometer). Die Schleifbänder entsprechen den folgenden Fabrikaten: X65 (P220) | X22 (P1000) | X4 (P3000)

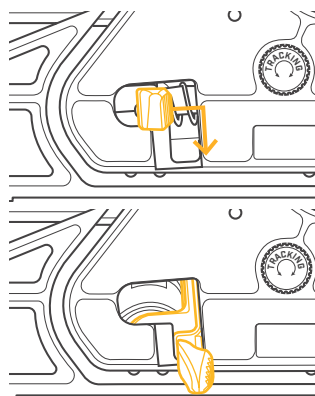
**Hinweis:** Verwenden Sie nur Schleifmittel, die für dieses Gerät empfohlen werden, und befolgen Sie diese Anleitung.

**SCHLEIFBANDVERSCHLEISS:** Eine Verfärbung des Schleifbands ist kein Indikator für Verschleiß. Technische Bänder setzen neues Schleifmittel frei, wenn sie sich abbauen. Gebrauchte Bänder erfordern möglicherweise ein längeres Schleifen, tragen aber weiterhin Material ab. Diese Bänder halten länger, als Sie denken. Verwenden Sie sie so lange, wie sie noch Material abtragen.

## 3. SCHLEIFBANDWECHSEL

Drücken Sie den Spannhelb in Richtung des Nachführknopfes und drehen Sie ihn nach unten, bis er einrastet.

Entfernen Sie das aktuelle Schleifband aus dem Schärfergerät.

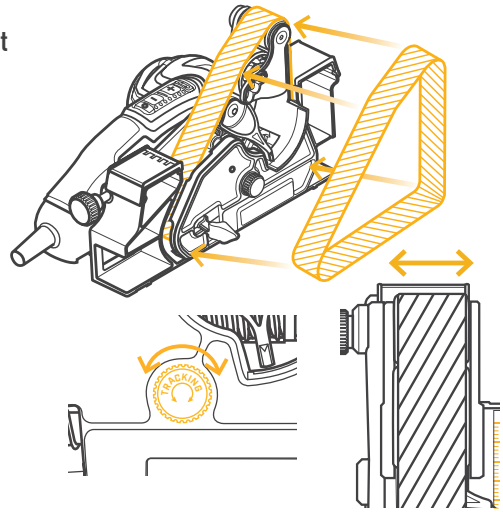


Legen Sie das nächste Band zuerst um den Bandschutz und dann um die Riemenscheiben.

Lassen Sie den Spannhebel los.

Führen Sie das Band nach, indem Sie den Nachführknopf drehen, um das Schleifband über den Riemenscheiben zu zentrieren.

Im Uhrzeigersinn bewegt sich das Band nach links, gegen den Uhrzeigersinn nach rechts.



#### 4. EINRICHTUNG DES GERÄTS

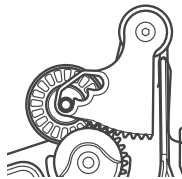
Wählen Sie die Position der Riemenscheibe für die gewünschte Wölbung. Ziehen Sie die Wölbungsriemenscheibe wie angegeben, bringen Sie sie in die gewünschte Position und drücken Sie sie, um sie zu befestigen.

- **STARKE WÖLBUNG:** Outdoor- und Camping-Messer
- **MITTLERE WÖLBUNG:** EDC- und Jagdmesser
- **GERINGE WÖLBUNG:** Küchenmesser und kleine Messer

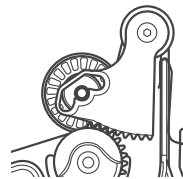


**⚠️ WARNUNG!**

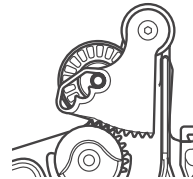
Justieren Sie die Wölbungsriemenscheibe niemals nach, wenn das Gerät eingeschaltet ist oder sich das Band bewegt.



STARKE WÖLBUNG



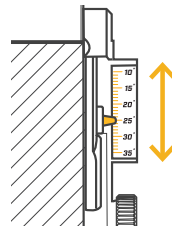
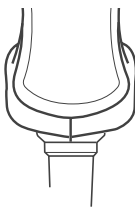
MITTLERE WÖLBUNG



GERINGE WÖLBUNG

Stellen Sie den gewünschten Schärfwinkel ein.

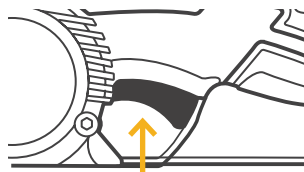
Drehen Sie den Winkeleinstellknopf, bis der gewünschte Winkel eingestellt ist.



Wählen und montieren Sie ein Schleifband, das der jeweiligen Aufgabe entspricht (siehe Abschnitt „Schleifbandwechsel“).

Sobald das gewünschte Band installiert ist, schalten Sie das Gerät ein, indem Sie den Netzschalter unter dem Griff drücken (siehe Abschnitt „Einstellung der Geschwindigkeit“ für weitere Einzelheiten).

**⚠ VORSICHT:** Lose Gegenstände können sich in beweglichen Teilen verfangen. Halten Sie Ihre Haare, Kleidung und Handschuhe von beweglichen Teilen fern. Die Nichtbeachtung dieser Warnung kann zu leichten oder mittelschweren Verletzungen führen.

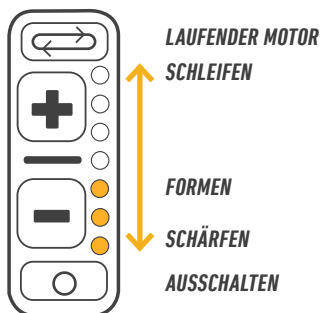


## 5. EINSTELLUNG DER GESCHWINDIGKEIT

**BEI LAUFENDEM MOTOR:** Drücken Sie den Netzschalter und die Taste direkt über den Geschwindigkeitsreglern, um den Motor im laufenden Zustand zu arretieren.

Verwenden Sie die Tasten Plus (+) und Minus (-), um die Geschwindigkeit des Schleifbands zu erhöhen oder zu verringern. m/s = Meter pro Sekunde.

- **AM HÖCHSTEN** : 7 Lichter    3.9 m/s
- **HOCH** : 6 Lichter    5.3 m/s
- **MITTEL-HOCH** : 5 Lichter    6.8 m/s
- **MITTEL**: 4 Lichter    8.2 m/s
- **MITTEL-NIEDRIG**: 3 Lichter    9.7 m/s
- **NIEDRIG**: 2 Lichter    11 m/s
- **AM NIEDRIGSTEN**: 1 Lichter    14.2 m/s



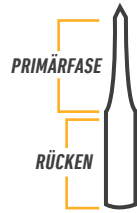
## ZUBEHÖR

- **WSKTS-KO MESSERSCHLEIFAUFSATZ GÜRTELSATZ:** WSSAK081115
- **STREICHRIEMEN RIEMEN KIT:** WSSAK081121

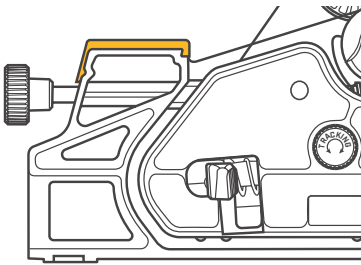
# SCHÄRFEN

Legen Sie den Rücken der Klinge flach auf die Referenzplatte. Fahren Sie mit flachgehaltener Klinge die Bandoberfläche zwischen den beiden oberen Riemenscheiben nach oben und setzen Sie die Klingenswurzel auf das Schleifmittel.

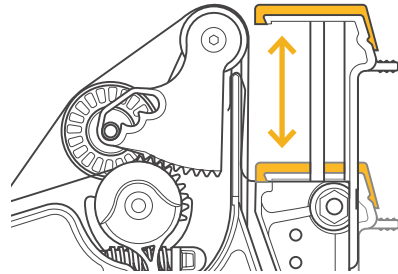
Anmerkung: Die 90°-Referenzplatte kann angehoben werden, um als alternative Referenzplatte für das winkelgeführte Schärfen verwendet zu werden. Lösen Sie den Knopf und heben Sie die Platte an die gewünschte Stelle.



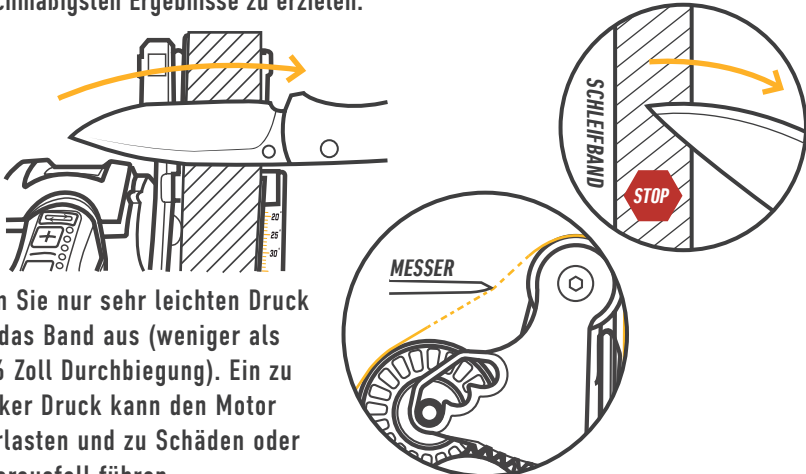
Primäre Referenzplatte



Alternative Referenzplatte

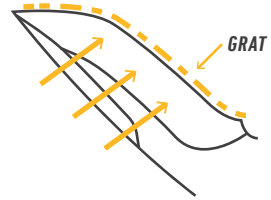


Bewegen Sie die Klinge flach über das Schleifband (2,54 cm pro Sekunde), bis die Messerspitze in der Mitte des Bandes ist. Ziehen Sie dann die Klinge vom Band weg. Folgen Sie der Kurve des Messers, während Sie es über das Band bewegen. Halten Sie die Schneide senkrecht zum Lauf des Bandes, um die besten und gleichmäßigsten Ergebnisse zu erzielen.



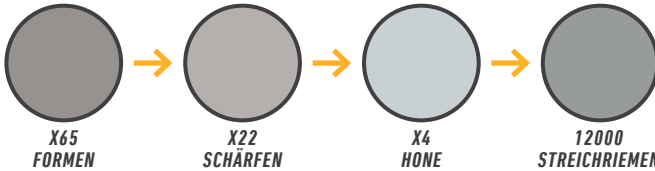
Üben Sie nur sehr leichten Druck auf das Band aus (weniger als 1/16 Zoll Durchbiegung). Ein zu starker Druck kann den Motor überlasten und zu Schäden oder Motorausfall führen.

Fahren Sie mit dem Schärfen der gleichen Messerseite fort, bis sich ein Grat entlang der gesamten Schneide gebildet hat. Zählen Sie die Anzahl der dafür erforderlichen Striche. Wiederholen Sie die gleiche Zahl der Striche auf der anderen Messerseite.



Erhöhen Sie die Körnung, bis die gewünschte Schärfe erreicht ist. Achten Sie beim Bandwechsel auf die richtige Einstellung von Spur und Spannung.

*PRÜFEN SIE, OB EIN GRAT ENTSTANDEN IST, INDEM SIE MIT DEN FINGERN ÜBER DIE KLINGE UND VON DER SCHNEIDE WEG STREICHEN.*



**⚠ WARNUNG:** Wenden Sie keinen übermäßigen Druck an, wenn Sie die Klinge zu sich hin ziehen. Lassen Sie das Schleifmittel seine Arbeit verrichten und üben Sie nur leichten Druck aus. Die Nichtbeachtung dieser Warnung kann zu schweren Verletzungen oder zum Tod führen.

### DER SCHÄRFVORGANG:



#### KLINGE AB WERK

Die meisten Messer sind ab Werk flach geschliffen und haben eine geringere Fasenhöhe oder Fläche.



#### KONVEXER SCHLIFF IN ARBEIT

Das Nachschärfen auf einen niedrigeren Winkel und einen konvexen Schliff braucht Zeit. Haben Sie Geduld und stellen Sie sicher, dass Sie einen Grat erzeugen.



#### WECHSELN SIE ZUR NÄCHSTEN KÖRNUMG

Schärfen Sie eine Seite des Messers, bis ein Grat entstanden ist. Wechseln Sie zur anderen Seite und erzeugen Sie einen Grat, bevor Sie zu einem Band mit feinerer Körnung wechseln.

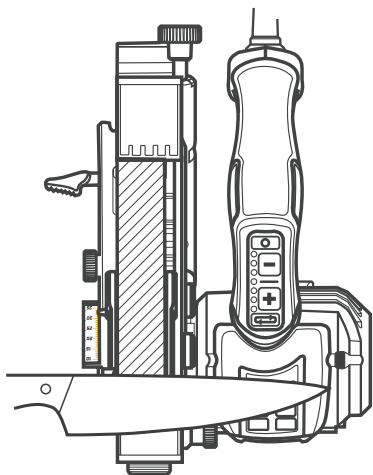
### BESTE TECHNIKEN:

- Beachten Sie, dass für jede Klinge Anpassungen erforderlich sind, z. B. aufgrund von Daumenknöpfen, Taschenclips, Klingprofil oder Griffdesign. Testen Sie die Klinge zunächst ohne Strom auf beiden Fasen, um sicherzustellen, dass die Anpassungen vor dem Schärfen vorgenommen werden können.
- Verwenden Sie ein Übungsmesser, um die richtige Technik zu erlernen.

# 90°-SCHLEIFPLATTE

Diese Funktion kann für verschiedene Zwecke verwendet werden, z. B. zum Abschrägen von Schneiden, Abflachen eines Messerrückens, Erstellen eines flachen Schneidenschliffs usw.

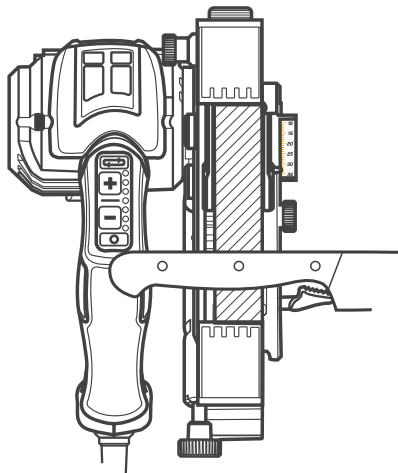
Verwenden Sie leichten Druck. Lassen Sie die Schleifmittel die Arbeit für Sie machen.



**Hinweis:** Nur zum Schleifen zu verwenden, wenn sich die 90°-Schleifplatte in der untersten Position befindet.

# LOCKERES BANDSCHLEIFEN

Der schlaife Bandteil des Schleifbands kann unter anderem für das Abrunden von Schneiden und die Formgebung von Messergriffen verwendet werden. Lassen Sie die Schleifmittel die Arbeit für Sie machen.









***WORK SHARP***  
210 E Hersey St.  
Ashland OR 97520  
USA

Phone: 1 (800) 597-6170  
Fax: 1 (541) 552-1377  
Email: [info@worksharptools.com](mailto:info@worksharptools.com)  
Visit: [Worksharptools.com](http://Worksharptools.com)

***WORK SHARP***<sup>®</sup> is a registered trademark of Work Sharp, LLC  
***WORK SHARP***<sup>®</sup> est une marque de commerciale de Work Sharp, LLC  
***WORK SHARP***<sup>®</sup> ist ein eingetragenes Warenzeichen Work Sharp, LLC



# DO NOT PRINT KEY

|   |  |  |            |
|---|--|--|------------|
| <b>NOTES:</b> Booklet dimensions<br>215.9mm x 139.7mm<br><b>CUT:</b> <br><b>CREASE/FOLD:</b> <br><b>BLEED LINE:</b>  | <b>SPOT COLOR:</b><br><br>PANTONE 7409C | <b>WORK SHARP</b><br>210 E. HERSEY ST.<br>ASHLAND, OR 97520<br>PHONE: (+1) 541-552-1301<br>FAX: 541-552-1377 |            |
| <b>TITLE:</b> WSKTS-KO BGA User Guide EFG   |  |  |            |
| <b>MATERIAL:</b>  | 157 GSM Coated Art paper cover<br>+ wood free paper interior pages   | <b>PART#:</b>  | PP0004944  |
| <b>COATING:</b>   | Standard Coating   | <b>REV:</b>  | 0          |
| <b>FLUTE DIRECTION:</b>   | N/A  | <b>DATE:</b>   | 10/30/2023 |
| <b>FOLD INSTRUCTIONS:</b> Booklet   |  |  |            |
| <b>REV NOTES:</b> Creation per CR2423   |  |  |            |